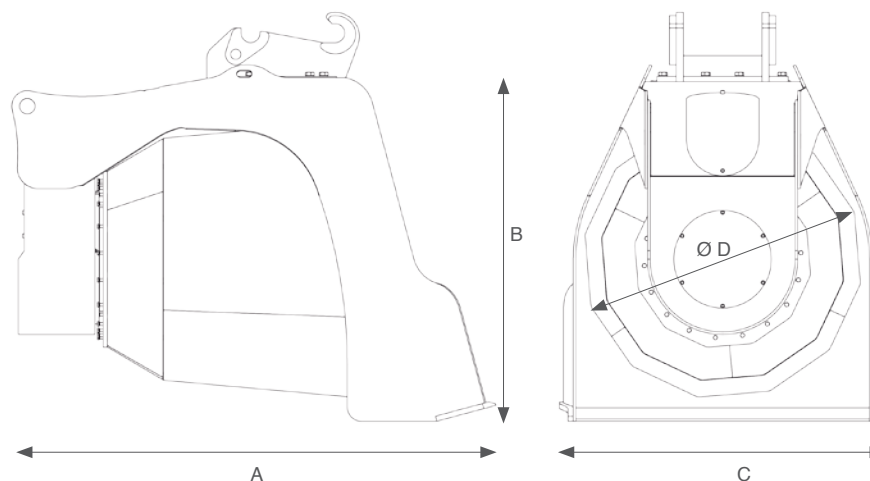


XS 40



TECHNICAL SPECIFICATIONS		XS40
Excavator size	Tons	24 to 38
Weight (without top plate)	kg	2.200
Operating pressure	MPa	25
Operating Flow	L/min	180 - 200
Ø trommel	mm	1.600
Trommel length	mm	1.425



	A	B	C	Ø D
XS40	2.800	2.000	1.890	1.600

XCENTRIC RIPPER INTERNATIONAL, S.L.

Arriurdina, 15 • 01015 Vitoria-Gasteiz (Spain) • Tel.: +34 945 290 555

www.xcentricripper.com