

# TIMBER PICK & CARRY MACHINE

WITH UP TO  
10 m STACKING HEIGHT



 237 kW

 43.9 t

 11.3 m

 **MAX CAB**

Stage V



# 735 E

## The High Stacker.

The expert for Pick & Carry applications ensures efficient processes at the log yard. Even stacking heights of up to 10 m pose no problem for the 735 E - this creates space and ensures efficient log logistics in your company.

### Optimal performance

A powerful drive enables high driving and handling performance - even with superimposed movements. Considerable loads can still be moved despite a low operating weight of just 44 t.

### Efficiency

The Pick & Carry machine is designed for driving and stacking under high loads. This optimizes your internal transport routes and saves fuel costs in the right place.

## Cost efficiency

EcoMode, automatic idling and automatic start-stop – this machine enables you to achieve significant savings potential in your business.

---

## Occupational safety

Sturdy all-round protective grating, non-slip treads and sturdy handles ensure the highest standard of work safety.

---

## Optimal use of space

The combination of the 360-degree rotating uppercarriage, a small swing radius and the automatic steering and direction of travel detection make it easier to maneuver even in narrow spaces between stacks. This allows you to use your space even more efficiently.

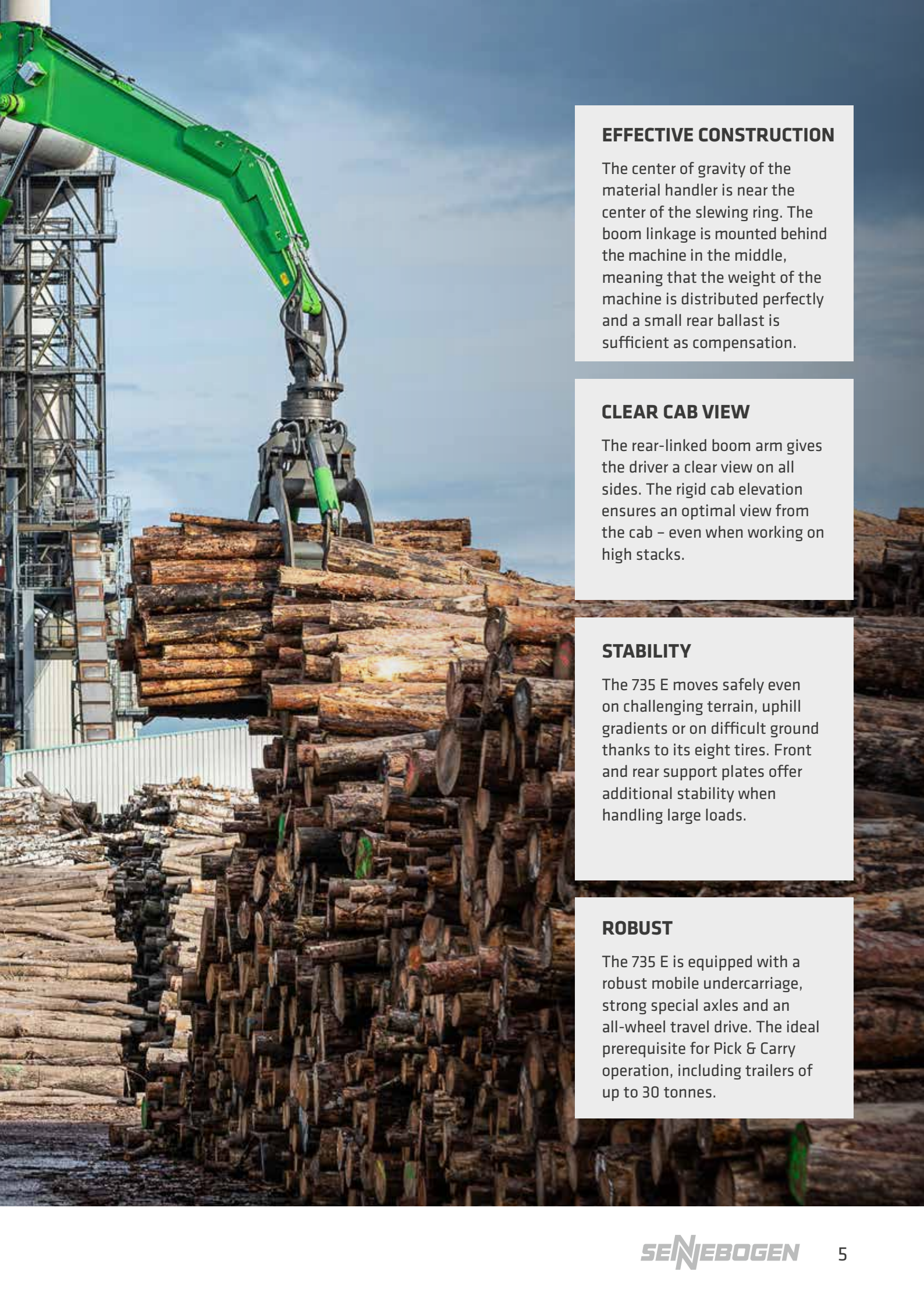
---



# THE CONCEPT.

We rely on tried-and-tested concepts and intelligent solutions: the 735 E impresses with its sophisticated concept, which makes it a specialist in timber handling





## **EFFECTIVE CONSTRUCTION**

The center of gravity of the material handler is near the center of the slewing ring. The boom linkage is mounted behind the machine in the middle, meaning that the weight of the machine is distributed perfectly and a small rear ballast is sufficient as compensation.

## **CLEAR CAB VIEW**

The rear-linked boom arm gives the driver a clear view on all sides. The rigid cab elevation ensures an optimal view from the cab – even when working on high stacks.

## **STABILITY**

The 735 E moves safely even on challenging terrain, uphill gradients or on difficult ground thanks to its eight tires. Front and rear support plates offer additional stability when handling large loads.

## **ROBUST**

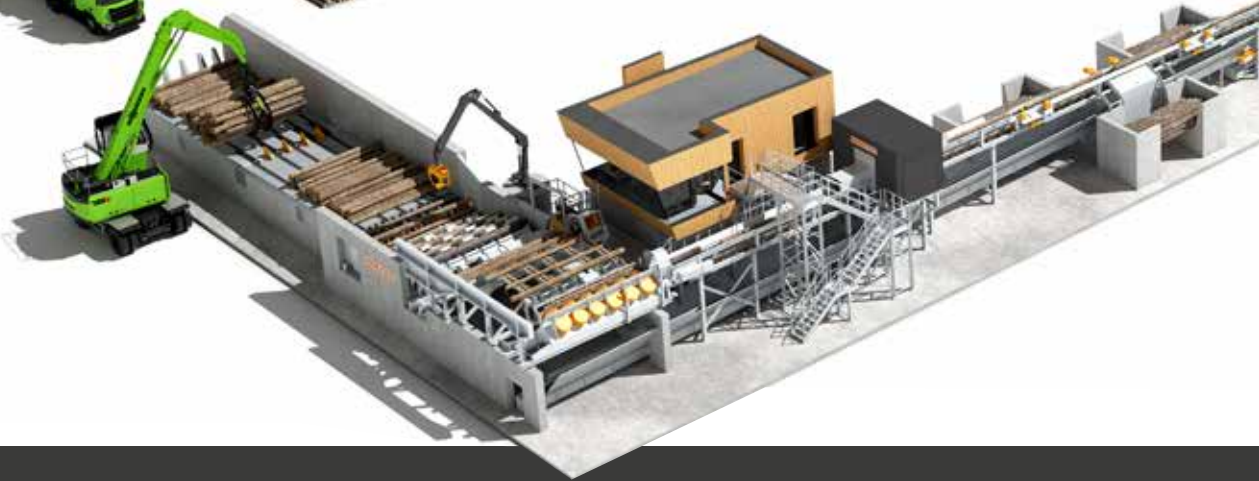
The 735 E is equipped with a robust mobile undercarriage, strong special axles and an all-wheel travel drive. The ideal prerequisite for Pick & Carry operation, including trailers of up to 30 tonnes.

# THE SAWMILL THEIR HOME

## 01 DELIVERY



## 02 SUPPLYING THE PLANT



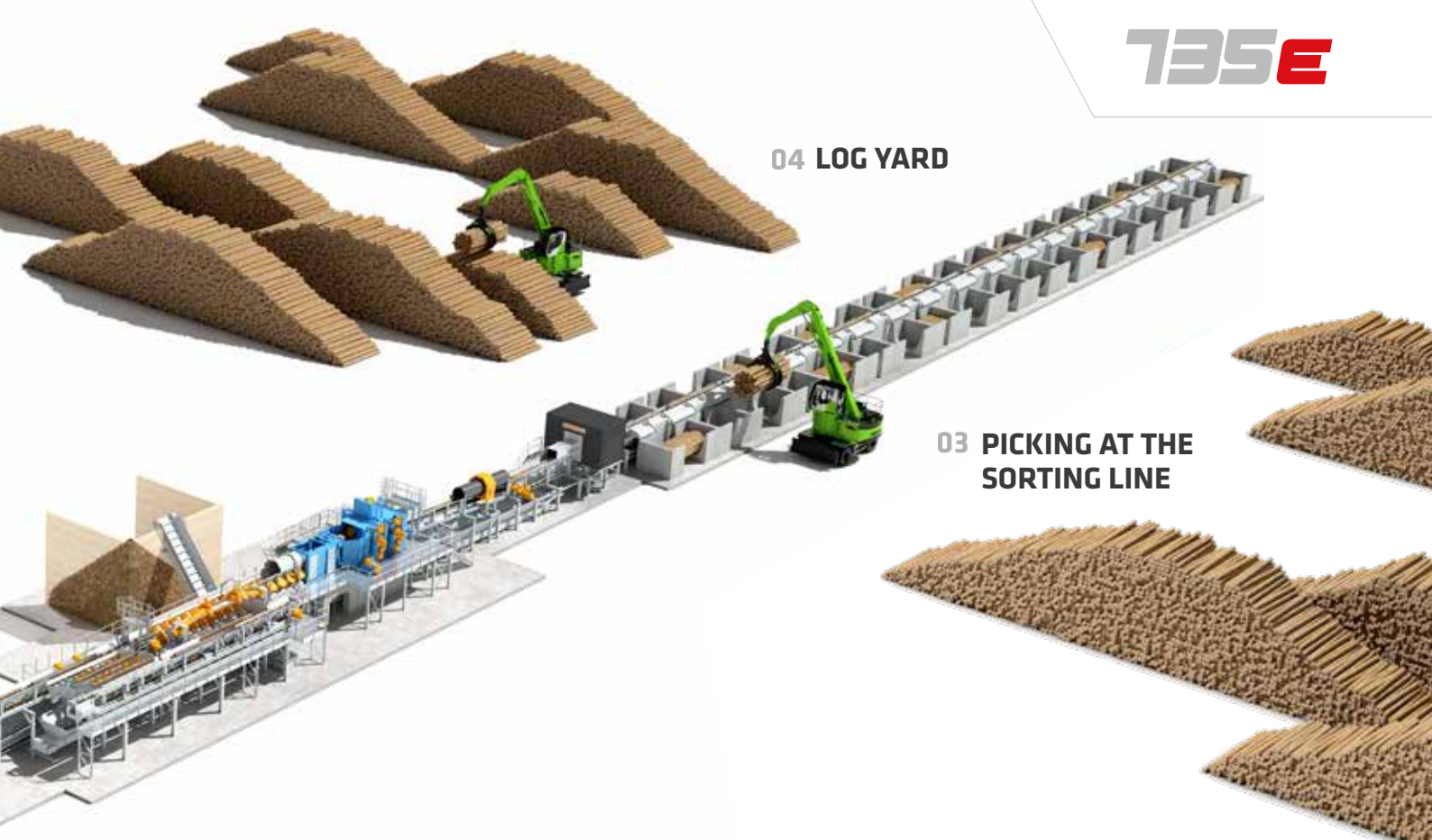
## 01 LOADING AND UNLOADING TRAILERS

High load capacities – for more efficient loading and unloading of trailers and wagons.



## 02 FEEDING THE DEBARKER

Fast work cycles enable rapid supply of the feed table.



04 LOG YARD

03 PICKING AT THE SORTING LINE

The **PICK & CARRY TIMBER MACHINE** offers the ideal solution **FOR EVERY PROCESS STEP** at the log yard



03 **BOX REMOVAL AT THE SORTING LINE**

Thanks to the slewing uppercarriage and automatic direction of travel switching, turning maneuvers are no longer necessary.

04 **STACKING AT THE LOG YARD**

Clear cab view, 360° endlessly rotatable uppercarriage and compact dimensions – also suitable for narrow spaces between stacks

# AN INVESTMENT THAT PAYS OFF.

The durability and reliability of the SENNEBOGEN Green Line is based on decades of experience in the design of high-quality crane and material handling technology. Thanks to their robust design and state-of-the-art technical standards, our timber machines offer product life cycles that set new standards on the market.



Durable and robust in extreme weather and harsh operating conditions, in sub-zero temperatures in Russia or in extreme heat in South Africa



Manageable and service-friendly technology for maximum availability



Consistent performance thanks to robust steel construction, and high-quality drive and control components from renowned manufacturers

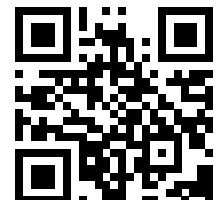


The intelligent design ensures a low dead weight of the machine, resulting in reduced diesel consumption



With good maintenance, more than 25,000 operating hours possible in demanding continuous operation

FIND OUT MORE:



Optional: Discover the benefits of the GED electric travel drive





**>25,000**

operating hours have been completed by this 735 E at Ziegler Logistik in Wiesau

# Advanced. The E Series



## LONG SERVICE LIFE, HIGH VALUE RETENTION

- Reliable and powerful thanks to its robust construction and high-quality components.
- Temperature-controlled cooling system, designed and tested for heavy-duty applications and high ambient temperature

## SOPHISTICATED, STATE-OF-THE-ART TECHNOLOGY

- In the 5th generation – decades of experience in designing and constructing material handlers



### **SIMPLE TO MAINTAIN AND SERVICE**

- Technology that can be mastered and no over-engineering, easy accessibility to all components

### **ENVIRONMENTALLY-FRIENDLY DRIVE TECHNOLOGY**

- State-of-the-art engine, drive and emission systems in line with the latest technology standards (stage V)
- Large-scale pipes and valves for maximum efficiency



### All-round protective grating on the cab

Additional safety thanks to a robust all-round protective grating especially for use with timber



### Clear cab view

Rear-hinged boom provides clear cab view on both sides



### Safe ascent and robust handles

Specially developed handles and non-slip treads ensure a high level of occupational safety

# SAFETY FIRST.

Special features ensure safe machine use in dynamic timber handling – to protect the operator and your business.



## Powerful LED spotlights

for optimal illumination of the work area



## Side sliding door

Easier access to the cab thanks to simple operation of the side cabin doors



## Optimal camera monitoring

of all safety-relevant areas\*

\* Cameras are installed as standard on the righthand side and to monitor the rear area. Additional cameras, e.g. on the stick, are available on request.



# MAXIMUM COMFORT.

## Everything in view

The spacious cab provides an all-round view, allowing you to comfortably see your entire working area. The windshield of the cab runs right through to the floor panel so that the view to the front is unrestricted. Together with the two large side windows, a panoramic view of the entire working environment is created.

## Easy control

The intelligent SENCON control system gives you quick and easy feedback on the machine's condition. Thanks to the intuitive user interface, it has never been easier to monitor energy consumption and utilization, control the desired working modes and contribute towards reducing operating costs.

## For your health

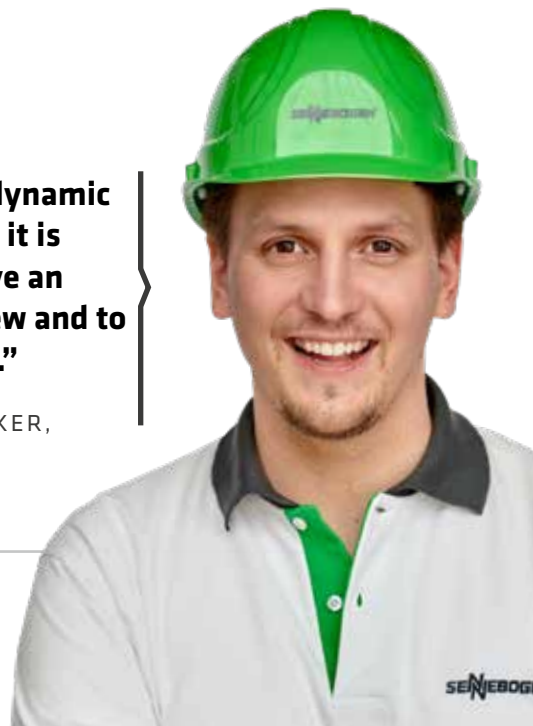
Operators spend many hours in their working position. The back-friendly comfort seat, adjustable armrests, joysticks that sit comfortably in the hand, and the optimally arranged controls make daily work as easy as possible.

## Pleasant indoor climate

Whether in warmer areas or in sub-zero temperatures: Thanks to automatic heating/air conditioning, you can enter a comfortable, temperature-controlled workplace every day and concentrate on what's important at work.

**“Particularly in dynamic timber handling, it is important to have an unobstructed view and to keep a cool head.”**

MATTHIAS ÜBELACKER,  
Head of Business Unit  
Wood & Paper





**MAX CAB**



# PROFESSIONAL FLEET MANAGEMENT

**SENtrack**

## 1. Reduce service costs

The dashboard is used to monitor the machine and its main operating parameters (temperatures, consumption). If key figures deviate significantly from the target value, preventive maintenance can be arranged.

## 2. Reduce consumption

You will receive daily updated insights into your fleet processes: Easily identify and optimize times when machines are idle or change set parameters when machines are underloaded to reduce consumption.

## 3. Improve productivity

With just a few clicks, you can identify and optimize machine capacity, analyze routes if required and thus make your log yard processes more profitable.

## 4. Safeguard your investment

Practical alarm messages inform you about critical machine conditions. In the event of irregular movements, the machine can also easily be deactivated remotely.

**"What if you could receive real-time data from all your machines with just one click and so increase your productivity? SENNEBOGEN's SENtrack telematic system makes this possible."**





# MAINTENANCE AND SERVICE.

## KEEP IT SIMPLE. WITH MANAGEABLE TECHNOLOGY.



Reliable and practical technology makes life easier. Where electronics add no value, we rely on hydraulics and electrical systems.



We make you happy, not reliant. With cost-effective components and fewer process steps, you can take care of your own machine.



The most important components, such as the accumulator module or the electrical distributor, are all easily accessible from a central point for straightforward checking and troubleshooting.



The SENCON control system supports you with diagnostics and makes troubleshooting easier. So your machine is back in action more quickly.



All maintenance and service points are arranged clearly and easily accessible. The clear labeling of components makes finding your way around easy.

## TECHNICAL DATA, EQUIPMENT

### MACHINE TYPE

MODEL (TYPE) 735

### ENGINE

**TYPE** Stage V:  
 Cummins L9 FR95764  
 Rated power: 231kW/2100 rpm  
 Operating point standard: 237kW/2000 rpm  
 Operating point ECO: 242kW/1800 rpm

Stage IIIa:  
 Cummins QSL9 FR95764  
 Rated power: 227kW/2000 rpm  
 Operating point standard: 227kW/2000 rpm  
 Operating point ECO: 254kW/1800 rpm

Direct injection, turbocharged, intercooling, reduced emissions, Eco mode (1800 rpm), automatic idling, automatic stop after 5 minutes, fuel pre-heating

**COOLING** water-cooled, radiator fan with automatic rotation direction switching in the interval

**FUEL FILTER** including electric (24V) heated water separator

**AIR FILTER** Dry filter with integrated pre-separator, automatic dust discharge, contamination indicator

**FUEL** 560 l

**ADBLUE** 75 l

**ELECTRICAL SYSTEM** 24 V

**BATTERIES** 2 x 150 Ah

- OPTIONS**
- Engine coolant pre-heating
  - Electric fuel pump
  - Jump start pole
  - Fire extinguishing system
  - Batteries with increased capacity
  - Battery pre-heating
  - Additional cyclone pre-separator during increased dust load

### UPPERCARRIAGE

**DESIGN** Torsion-resistant box design, precision crafted, steel bushings for boom mountings. Service-friendly design, engine installed in the longitudinal direction

**CENTRAL LUBRICATION** Automatic central lubrication for work equipment and live ring track

**ELECTRICAL SYSTEM** Central electrical distributor, battery disconnect switch

**COOLING SYSTEM** 3-circuit cooling system with high cooling output, thermostatically controlled fan drive for oil and water cooler, automatic rotation reversal of the cooler fan for cleaning the cooler

**SAFETY** Peripheral uppercarriage railing, screw-on, for transport height 1100 mm

Emergency control to ensure machine availability in restricted operation by bypassing the main functions

- OPTIONS**
- Slew brake via foot pedal
  - LED lighting package
  - Electrical hydraulic tank preheating
  - Low temperature packages
  - SENtrack telematic system
  - Steering wheel steering
  - Two LED headlights instead of the H4 built-in headlights on the uppercarriage front side



# TECHNICAL DATA, EQUIPMENT

## HYDRAULIC SYSTEM / HYDRAULICS

Load-sensing/ LDUV hydraulic system, hydraulic pilot-controlled work functions, load limit control

DELIVERY RATE max. 740 l / min

OPERATING PRESSURE up to 350 bar

FILTRATION High-performance filtration with long change interval

HYDRAULIC TANK 390 l

CONTROL SYSTEM Proportional, precision hydraulic control of the movements, 2 servo joysticks for work functions, additional functions via switches and foot pedals

SAFETY Hydraulic circuits safeguarded with safety valves  
Secured emergency lowering of the equipment when the engine is at a standstill

OPTIONS Bio-oil filling  
SENNEBOGEN HydroClean micro-filter system (3 µm) with water separator  
ToolControl for programming pressure/ quantity for up to 10 tools  
Ball valves for the hydraulic lines instead of quick change couplings

## SLEWING DRIVE

GEARBOX Compact planetary gear with bent-axis hydraulic engine, integrated brake valves

PARKING BRAKE Spring-loaded multi-disk brake

SLEWING RING Externally geared slewing ring with 360° protection and pinion lubrication

SLEWING SPEED 0-7 rpm, variable

## CAB

CAB TYPE Rigid 1 m cab elevation 


CAB FEATURES Automatic heating/air conditioning with central control unit, SENNEBOGEN SENCON control and diagnostic system, sliding door, excellent ergonomics, seat heating, air-sprung comfort seat, fresh air/ recirculated air filter, joystick steering, 12 V / 24 V connections, SENCON


OPTIONS Rigid 1.50 m cab elevation  
Rigid 2.00 m cab elevation  
E270 cab adjustment:  
Hydraulically folding rigid cab elevation  
Platform next to the cab  
Auxiliary heating system with timer  
Activated carbon filter  
Steering wheel steering, height-adjustable  
Active seat climate control  
Bullet proof windshield  
Bullet proof skylight  
Side and rear windows made of safety glass  
Sunblind for skylight and windshield  
Windscreen wipers for skylights and lower windshield  
Radio with USB port, MP3 and Bluetooth® functions  
Active seat climate control  
Cover for cab seat  
Special assignment of joysticks and pedals  
Cooling box behind the operator's seat (electric)

Optional: Lighting packages with LEDs; example of lighting on the stick

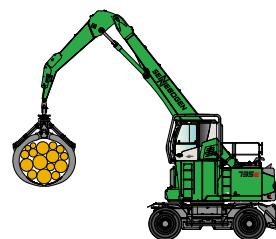


## TECHNICAL DATA, EQUIPMENT

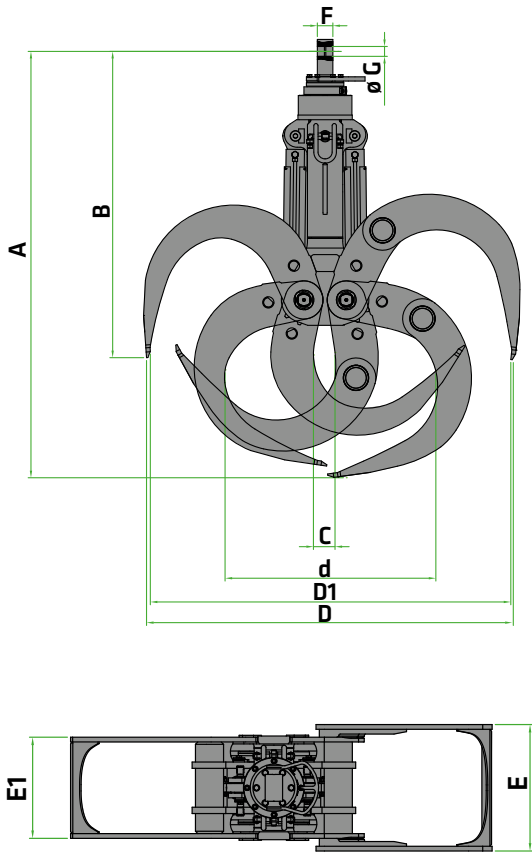
EQUIPMENT 	
MAXIMUM RANGE	Standard: K11 (11m)   Optional: K12 (12m)
CYLINDERS	Hydraulic cylinders with high-quality sealing and guide elements, end position damping, sealed bearing points, pipe fracture safety valves for lift and stick cylinders
CENTRAL LUBRICATION	Automatic central lubrication system
OPTIONS	<ul style="list-style-type: none"> <li>Ball valves in the hydraulic lines</li> <li>K12 handling equipment</li> <li>Load stabilizer to dampen the load/equipment vibrations</li> <li>Bar graph pressure display (lift cylinder) in SENCON</li> </ul>

UNDERCARRIAGE 	
DESIGN	Sturdy welded construction in box design, type MF37E without support
DRIVE CONCEPT	All-wheel drive powered by two direct-mounted variable-displacement hydraulic engines incl. automatically operated brake valve. Strong planetary axles with integrated steering cylinders in the front and rear axles, drum brakes in the 2-circuit system, automatic driving/steering direction switching via area sensor and additionally selectable via button on joystick with visual display
BRAKE	Speed-monitored disc brake with hill start assistance
TIRES	14.00-24, 8 air, Trelleborg T-900
SPEED	0 - 20 km/h variable
OPTIONS	<ul style="list-style-type: none"> <li>Hydraulic trailer preparation</li> <li>Fenders, galvanized</li> <li>Sliding door to the front/rear</li> <li>Tire pressure monitoring system</li> </ul>

OPERATING WEIGHT 	
MASS	Approx. 43,900 kg basic model 735 M with sliding door, including 3 m <sup>2</sup> grab
NOTE	Operating weight varies by model and equipment. Subject to technical changes!



# THE RIGHT TIMBER GRAB FOR EVERY REQUIREMENT



TYPE / SIZE	GRAB CAPACITY	WEIGHT <sup>1</sup>	DIMENSIONS (mm)										LOG LENGTH	
			A	B	C	D	D1	d	E	E1	F	G		
SGH	m <sup>2</sup>	kg												m
<b>1250.33</b>	1.25	2315	3190	2365	130	2795	2600	1610	800	640	145	80	8.0	
<b>1500.33</b>	1.50	2390	3310	2380	120	3030	2850	1690	800	640	145	80	8.0	
<b>1750.33</b>	1.75	2440	3430	2425	110	3260	3080	1725	800	640	145	80	7.0	
<b>2000.33</b>	2.00	2430	3530	2450	110	3450	3275	1800	800	640	145	80	6.0	
<b>2500.33</b>	2.50	2570	3830	2530	110	4040	3850	1935	800	640	145	80	6.0	
<b>2500.34-K*</b>	2.50	2550	2905	1485		4060		1965	800		145	80	6.0	
<b>3000.34-K*</b>	3.00	2560	3145	1535		4525		2080	800		145	80	5.5	
<b>3200.34-K*</b>	3.20	2685	3225	1555		4720		2140	800		145	80	5.0	
<b>3500.34-K*</b>	3.50	2830	3385	1615		4880		2185	800		145	80	4.5	
<b>4000.34-K*</b>	4.00	3065	3420	1680		5000		2325	800		145	80	4.0	

<sup>1</sup>) Weight information without grab mounting bracket, stick bolts, hose system.  
The weight of the grab mounting bracket is 148 kg.  
\* with flyer chain.

## LOAD RATINGS K11



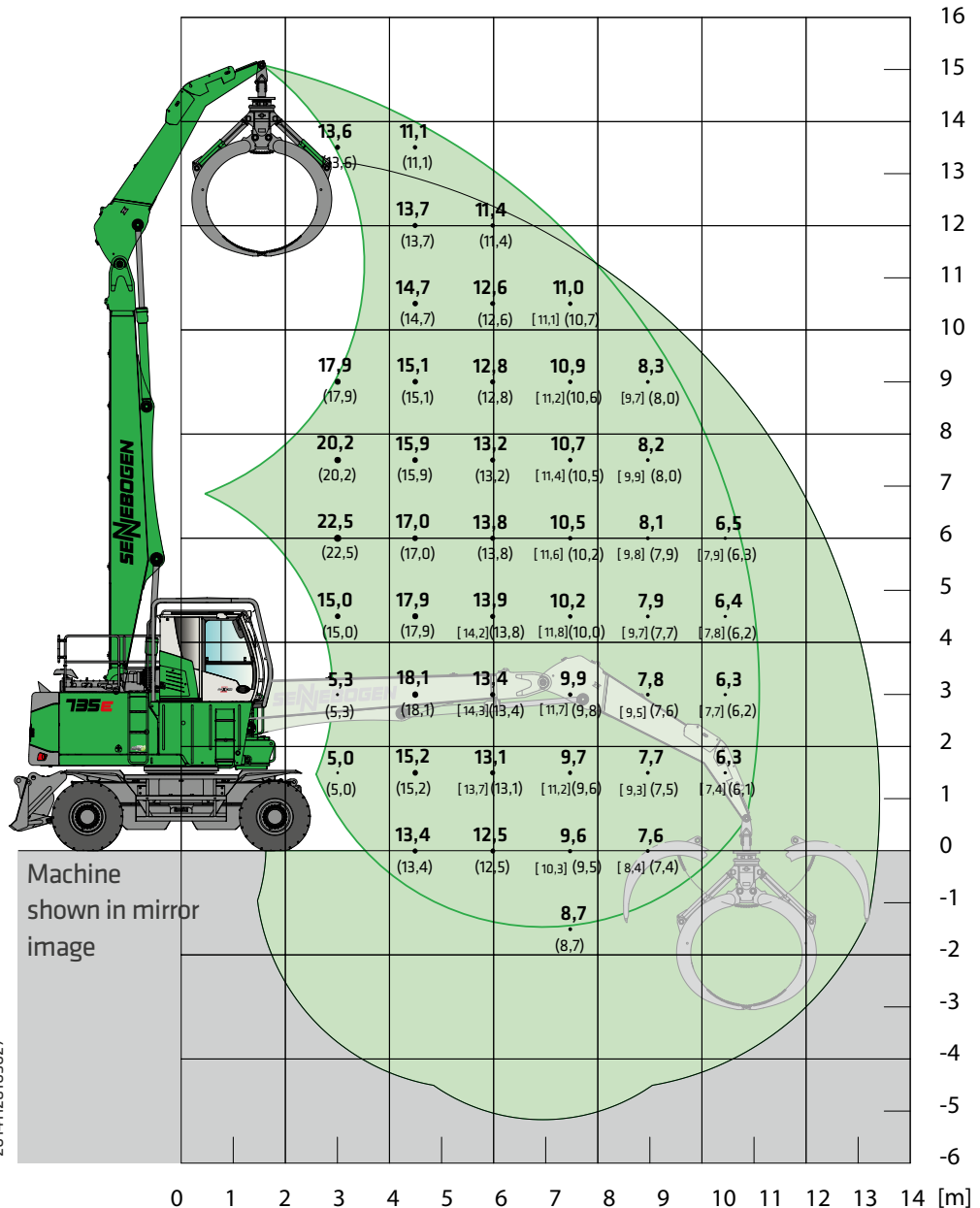
MF37



MAXCAB  
1 m rigid elevation



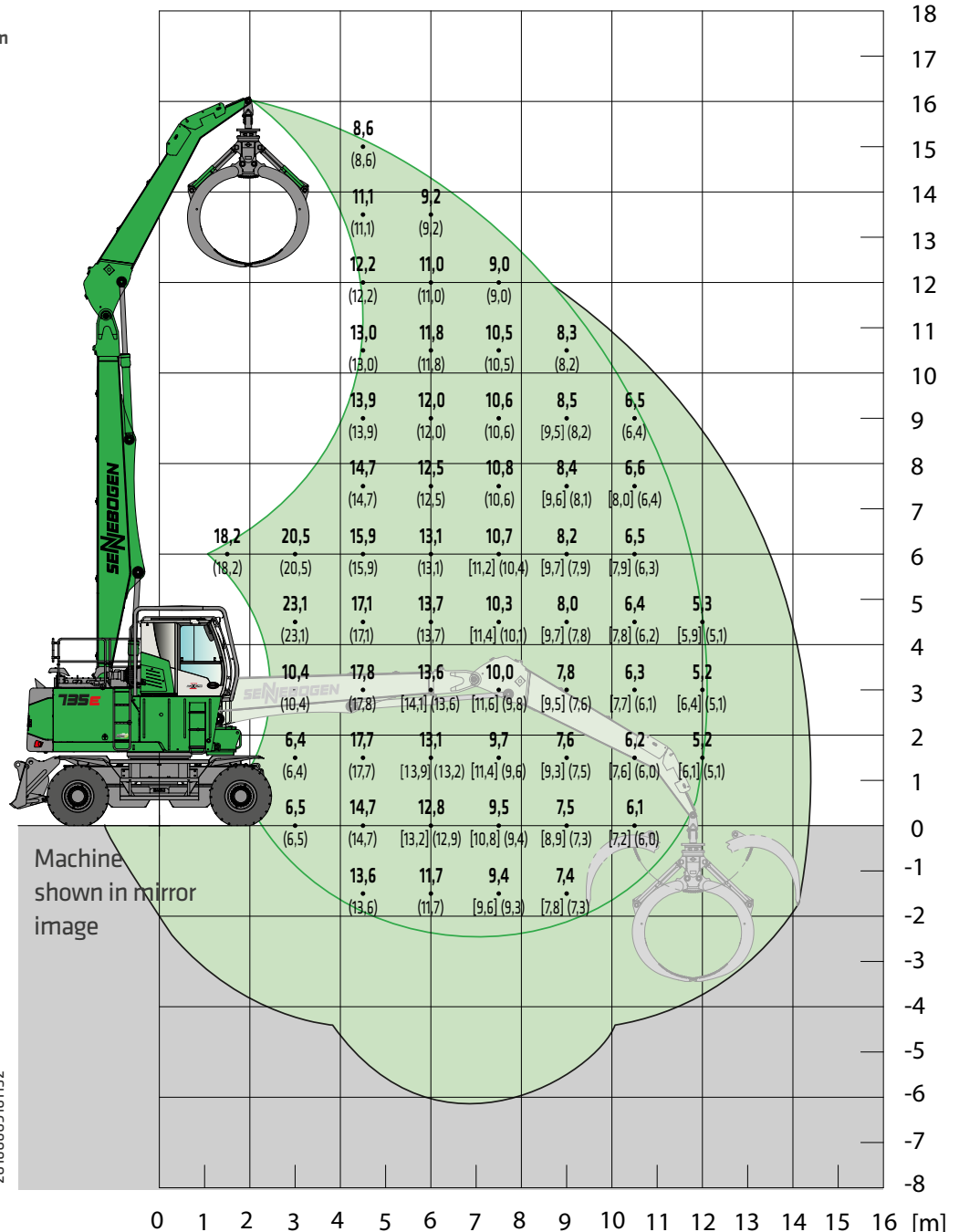
8.2 m compact boom  
4.7 m grab stick



### Notes:

All load ratings are given in tons (t) brought to bear at the end of the stick without equipment on stable, firm and level ground. Equipment such as grippers, load hooks, etc. are part of the specified load ratings. The values given are valid for stationary use with a work area of 360°, on wheels, without support and with blocked pendulum axles. The values in brackets [ ] are valid for stationary use with an uppercarriage as long as the undercarriage, on wheels, without support and with blocked pendulum axles. In line with ISO 10567, they amount to 75 % of the static tipping load or 87 % of the hydraulic lifting force. The values in brackets ( ) are valid for travel drive with an uppercarriage as long as the undercarriage, on wheels, without support, and on wheels with active pendulum axles. In line with DIN EN 474-5, they amount to 60 % of the static tipping load. If the machine is being used in stationary mode for lifting applications, as per DIN EN 4745, it must be fitted with pipe fracture safety devices on the boom lifting cylinders and an overload warning device.

# LOAD RATINGS K12



20160609100427  
20160609101152

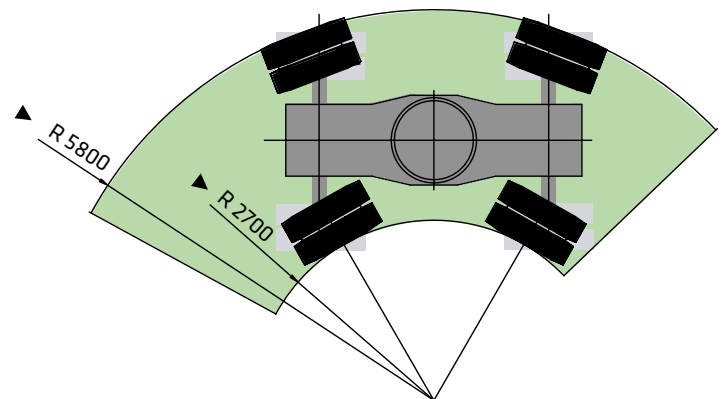
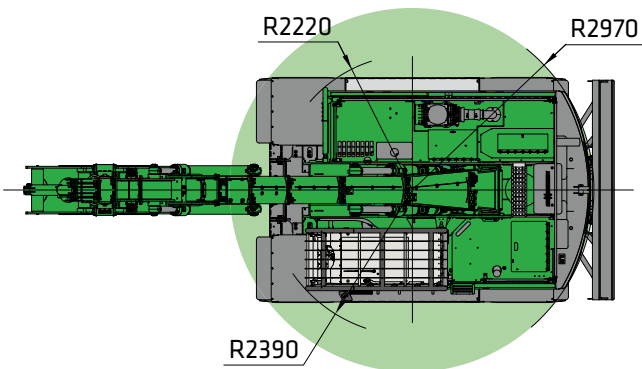
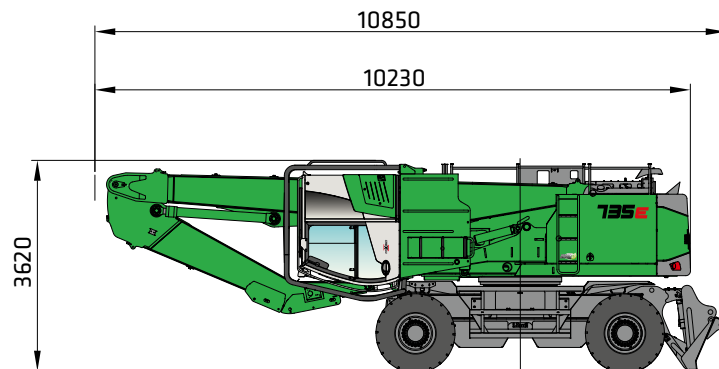
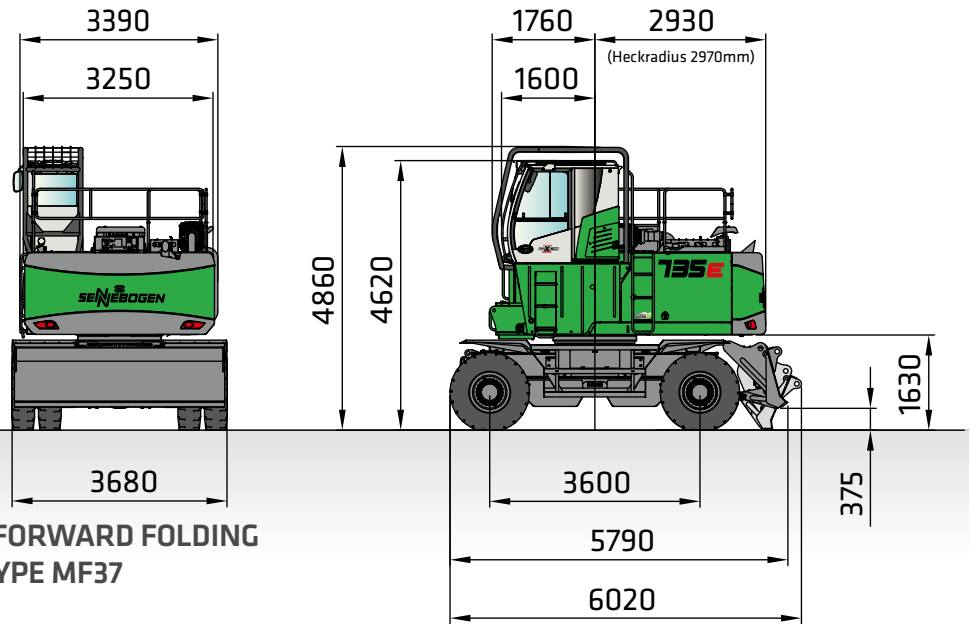
LOAD RATINGS

**Notes:**

All load ratings are given in tons (t) brought to bear at the end of the stick without equipment on stable, firm and level ground. Equipment such as grippers, load hooks, etc. are part of the specified load ratings. The values given are valid for stationary use with a work area of 360°, on wheels, without support and with blocked pendulum axles. The values in brackets [ ] are valid for stationary use with an uppercarriage as long as the undercarriage, on wheels, without support and with blocked pendulum axles. In line with ISO 10567, they amount to 75 % of the static tipping load or 87 % of the hydraulic lifting force. The values in brackets ( ) are valid for travel drive with an uppercarriage as long as the undercarriage, on wheels, without support, and on wheels with active pendulum axles. In line with DIN EN 474-5, they amount to 60 % of the static tipping load. If the machine is being used in stationary mode for lifting applications, as per DIN EN 474-5, it must be fitted with pipe fracture safety devices on the boom lifting cylinders and an overload warning device.

## DIMENSIONS

**i** Transport width: 3680 mm



DIMENSIONS





Pick & Carry operation with trailer up to 30 tonnes



Easy transport of the 735 E with the help of a flatbed trailer



**SENNEBOGEN ACADEMY**

Anxious to expand knowledge as success is based on knowledge. In the SENNEBOGEN Academy we place great importance on ensuring knowledge flows powerfully.

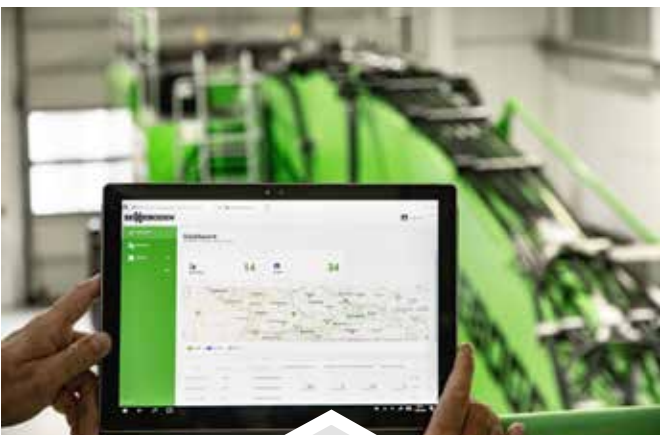
➔ [www.sennebogen-academy.com](http://www.sennebogen-academy.com)



**SERVICE AND MAINTENANCE**

Comprehensive customer service. And supply of spare parts. Service is a TOP priority for us.

➔ [www.sennebogen.com/kundendienst](http://www.sennebogen.com/kundendienst)



**SENtrack**

Manage your fleet efficiently with SENtrack: Use information that would otherwise stay hidden and increase your efficiency.

➔ [www.sennebogen.com/de/sentrack](http://www.sennebogen.com/de/sentrack)



**RENTAL & USED**

Discover the unique range of rental machines available from SENNEBOGEN Rental & Used. Rental machines can be found here:

➔ [www.sennebogen-rental-used.com](http://www.sennebogen-rental-used.com)

**JOIN OUR OPERATORS' CLUB**

The spotlight is on you and your machine! We focus on exclusive information, sharing experiences with other SENNEBOGEN operators as well as fun and enthusiasm.

All the benefits here ➔ [www.sennebogen.com/operators-club](http://www.sennebogen.com/operators-club)



# MOVE BIG THINGS - WITH US!



over **69**  
years of experience

**100 %**  
family  
company

over **1600**  
experienced  
specialists worldwide

**4**  
production plants  
in Germany

over **180**  
sales and service partners  
around the world

**26**  
different  
Material handler



Telehandler  
4-5.5 t

Balancer  
130-300 t

Material handler  
17-420 t

Duty cycle crane  
13.5-300 t

Crawler crane  
50-300 t

Telecrane  
16-130 t

Port crane  
300 t

This catalog describes machine models, the scope of equipment of individual models, and configuration options (standard equipment and optional equipment) of the machines delivered by SENNEBOGEN Maschinenfabrik GmbH. Machine illustrations may contain optional and supplementary equipment. Actual equipment may vary depending on the country to which the machines are delivered, especially in regard to standard and optional equipment. All product designations used may be trademarks of SENNEBOGEN Maschinenfabrik GmbH or other supplying companies, and any use by third parties for their own purposes may violate the rights of the owners.

Please contact your local SENNEBOGEN sales partner for information concerning the equipment variants offered. Requested performance characteristics are only binding if they are expressly stipulated upon conclusion of the contract. Delivery options and technical features are subject to change. All information is supplied without liability. Equipment is subject to change, and rights of advancement are reserved. © SENNEBOGEN Maschinenfabrik GmbH, Straubing, Germany. Reproduction in whole or in part only with written consent of SENNEBOGEN Maschinenfabrik GmbH, Straubing, Germany.

**SENNEBOGEN**  
**Maschinenfabrik GmbH**  
Hebbelstraße 30  
94315 Straubing, Germany

 [www.sennebogen.com](http://www.sennebogen.com)

**MOVE BIG THINGS**

#### SALES SENNEBOGEN

**Green Line Sales**

Tel. +49 9421 540-146

[materialhandling@sennebogen.de](mailto:materialhandling@sennebogen.de)

#### SPARE PARTS CENTER

**Spare parts orders**

[spareparts@sennebogen.de](mailto:spareparts@sennebogen.de)

#### AFTER SALES

**Technical support**

[service@sennebogen.de](mailto:service@sennebogen.de)

