

PALCOVER

**THE EASIEST
TARPING SYSTEM**

LIFETIME EXCELLENCE



THE PALCOVER ALLOWS **EASY, FAST AND SAFE** SHEETING OF CONTAINERS

5 Highlights



The highest on the market

The maximum height of 5.5m makes the tarp operation very convenient and limits the risk of collision with overfilled loads. During transport, the PALCOVER sits neatly behind the cab.



Long lasting

Tower sliding system with no need for maintenance or greasing. The innovative surface treatment offers excellent corrosion protection.



Safety

All operations are carried out safely from the ground without the need to manipulate heavy or large loads. The external buzzer informs the driver when the PALCOVER is not in the transport position.



Different tarp designs

The tarp is made of polyethersulfone which combines flexibility and wear-resistance. Several models exist, with or without flaps, to fit perfectly to your requirements.



Service oriented design

All parts are easily accessible. The tarp replacement is quickly done with everyday tools.

PALCOVER H-M



- Mechanical Roll-in/Roll-out
- External manual control
- Simple use
- Soft and adjustable roll-in spring

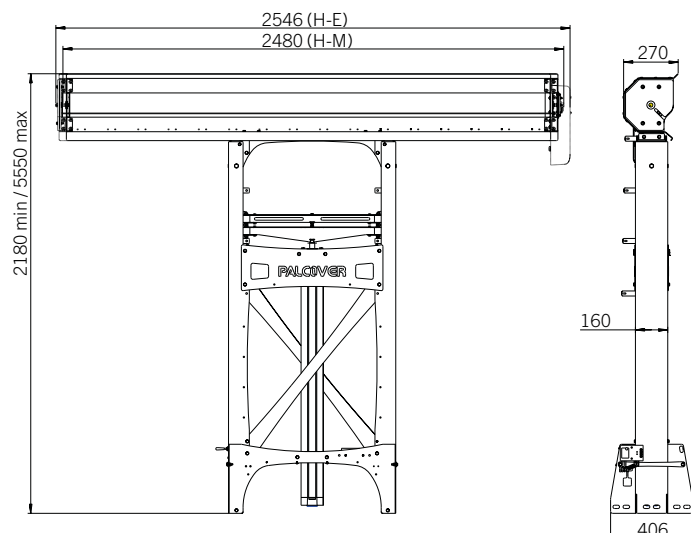
PALCOVER H-E



- Electric Roll-In/Roll-out
- Radio Remote Controlled
- Controlled and effortless tarp movement
- Reliable spooling in all conditions

TECHNICAL DATA

Container length min.	5000 mm
Container length max.	7250 mm
Weight	220 kg
Operation pressure	8 bars
Power supply	24V – 30A



KP-PALCOVERM3+EN

The equipment which is presented in the brochure is partly optional and doesn't always correspond to the standard version. The specific regulations in each country have to be respected. The dimensions may vary, subject to technical modifications, errors or mistranslations.