

PK 24001 | PK 27001 EH

**SINGLE LINK PLUS –
HIGH VARIETY OF USES
EVEN UNDER DIFFICULT
CONDITIONS**

LIFETIME EXCELLENCE



LIFETIME EXCELLENCE

PALFINGER loader cranes are convincing due to their superior life-cycle performance. They are the most economical and also the most reliable over the entire product life. From solution finding to resale.

- **Better solutions**
- **Better efficiency**
- **Better ergonomics**
- **Higher availability**
- **More reliability**
- **Better ecology**
- **Higher serviceability**
- **Higher value retention**



TECHNICALLY MATURE APPLICATION TECHNOLOGY

- More lifting power thanks to E-HPLS
- High value retention due to coating technology
- Maximum utilisation of the working range due to HPSC
- Increased operating times due to low-maintenance extension system
- High degree of user-friendliness thanks to optional radio remote control





FIRST-RATE IN DESIGN AND PERFORMANCE

12 Highlights



Single Link Plus

High variety of uses

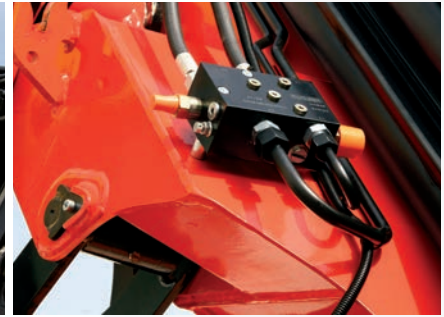
With the 15 degree reverse linkage system, you can reach through low door openings and also work inside buildings. Heavy crane work – even in difficult conditions.



Low-Maintenance extension system

Reduces service time

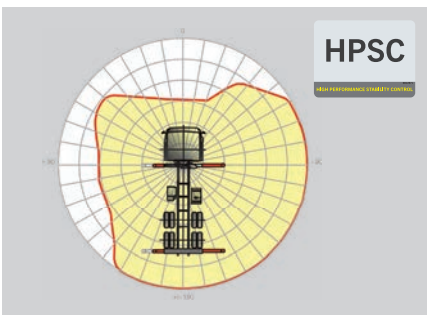
With sliding elements made of synthetic material and the high-quality KTL coating, this boom system significantly simplifies service performed by the operator. This saves time and money – and protects the environment.



High Speed Extension

For efficient assignments

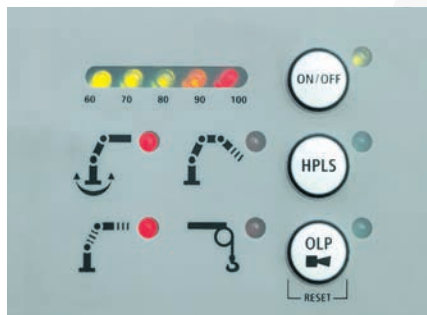
The High Speed Extension speeds up the extension boom system. Crane works faster and more efficiently.



HPSC

Maximum utilisation of the working range

The variable stabiliser positioning of the High Performance Stability Control System allows the full lifting capacity of the crane to be used, even when working within tight spaces.



PAL 50

Comfort and safety

The PALTRONIC 50, PALFINGER offers the latest control electronics for the series production crane. The custom designed electronic operates and monitors the crane and offers more efficiency in use and safety.



Control console

All information at a glance

All important information about the crane can be seen on the main control stand. A digital indicator counts and displays the operating hours. Ergonomic control levers and the optional lighting package provide increased safety and comfort even in poor visibility conditions.



Coating technology

Top quality surface protection at a glance

The KTL coating lays the foundation for a perfect surface protection. Afterwards the components are either coated in the powder-coating facility or are finished with a two-components-topcoat. High value retention and excellent corrosion protection for the whole life of a crane.



Functional design

Practical and attractive

Robust plastic covers protect crane parts against dirt and damage. Improved looks and increased operational comfort – throughout the entire lifetime.



Radio remote control

Dialogue with the operator

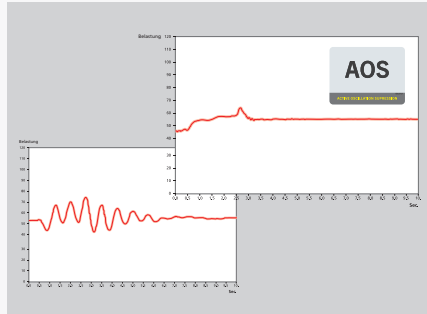
PALFINGER radio remote controls are equipped with linear lever or cross lever and provide the greatest possible comfort for the operator. All EH models with LED-Display inform the crane operator about the different operating conditions.



Hose equipment for attachments

Versatile and user-friendly

The hose equipment offers an easy means of connecting auxiliary equipment. The hose equipment is guided in hose trays for protection.



AOS

Maximum precision and safety

The active oscillation suppression system prevents „post-oscillation“ in the event of rapid braking or load changes. The stress peaks on the extension boom system are reduced and material fatigue and wear are minimized. This increases the resale value.



Lighting package*

More crane safety particularly at dusk and dark

LEDs which backlight the control panel make it easier to read off the crane functions and provide the crane operator with a quick overview of the entire panel during the working process. LED warning lights in the supporting cylinders mean greater safety for crane operator and passers-by.



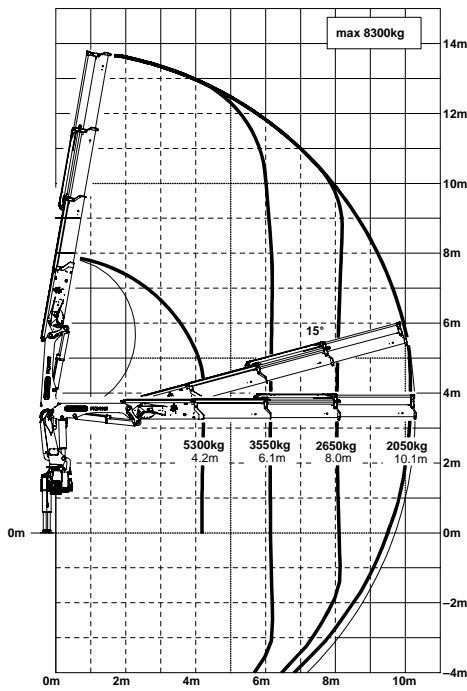
* Optional features / country-specific equipment

PK 24001

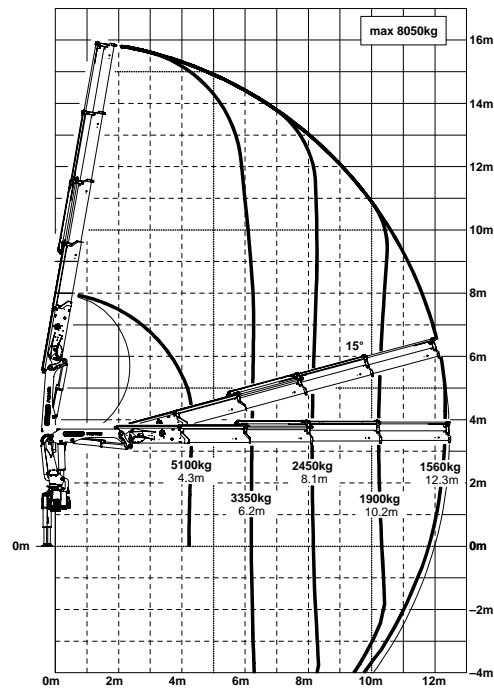
HIGH PERFORMANCE

Wide range of applications.

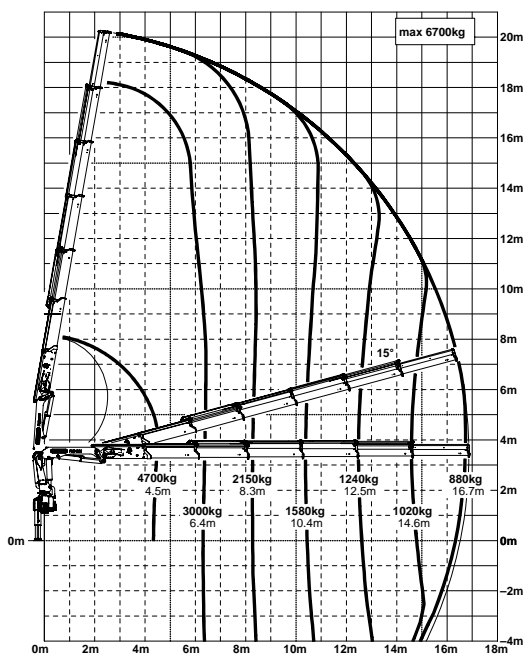
B



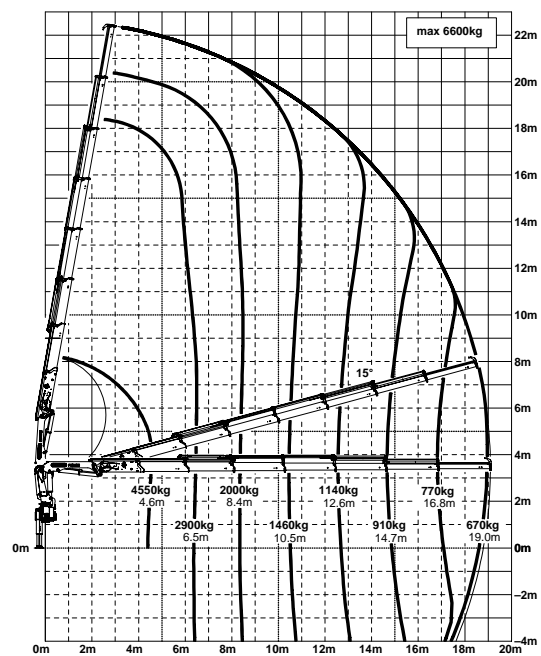
C



E



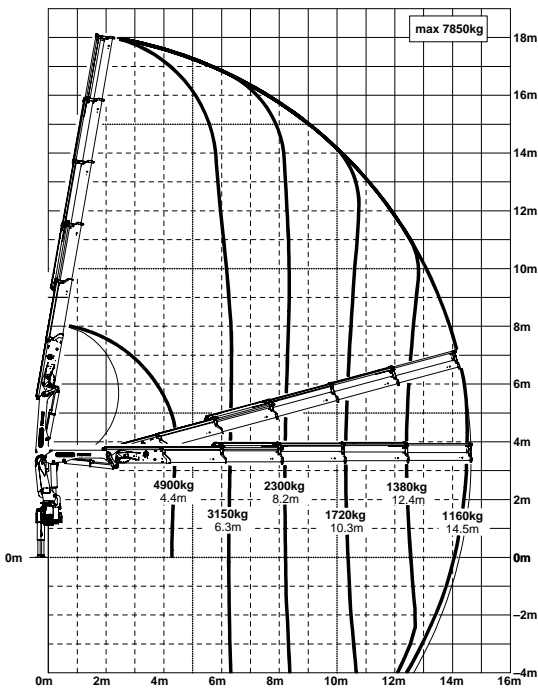
F



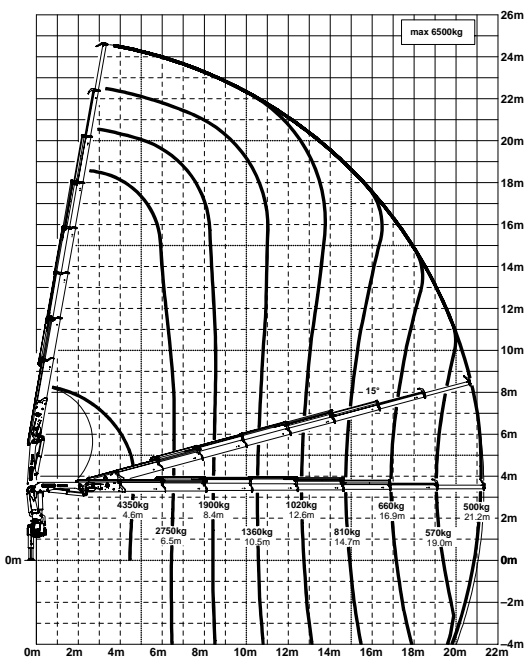
The outreaches stated are with a boom angle of 20° and are therefore not the maximum.

Lifting capacities

D



G



max.		8500 kg	18800 lbs	A
4.2 m	13' 9"	5600 kg	12400 lbs	
6.1 m	20' 0"	3750 kg	8300 lbs	
8.0 m	26' 3"	2850 kg	6300 lbs	

max.		8300 kg	18300 lbs	B
4.2 m	13' 9"	5300 kg	11800 lbs	
6.1 m	20' 0"	3550 kg	7800 lbs	
8.0 m	26' 3"	2650 kg	5800 lbs	
10.1 m	33' 2"	2050 kg	4500 lbs	

max.		8050 kg	17800 lbs	C
4.3 m	14' 1"	5100 kg	11300 lbs	
6.2 m	20' 4"	3350 kg	7400 lbs	
8.1 m	26' 7"	2450 kg	5400 lbs	
10.2 m	33' 6"	1900 kg	4150 lbs	
12.3 m	40' 4"	1560 kg	3400 lbs	
14.5 m*	47' 7"	1240 kg	2750 lbs	
16.7 m*	54' 9"	1000 kg	2200 lbs	

max.		7850 kg	17300 lbs	D
4.4 m	14' 5"	4900 kg	10800 lbs	
6.3 m	20' 8"	3150 kg	7000 lbs	
8.2 m	26' 11"	2300 kg	5000 lbs	
10.3 m	33' 10"	1720 kg	3800 lbs	
12.4 m	40' 8"	1380 kg	3050 lbs	
14.5 m	47' 7"	1160 kg	2550 lbs	
16.7 m*	54' 9"	930 kg	2050 lbs	
18.9 m*	62' 0"	760 kg	1680 lbs	

max.		6700 kg	14800 lbs	E
4.5 m	14' 9"	4700 kg	10400 lbs	
6.4 m	20' 12"	3000 kg	6600 lbs	
8.3 m	27' 3"	2150 kg	4700 lbs	
10.4 m	34' 1"	1580 kg	3500 lbs	
12.5 m	41' 0"	1240 kg	2750 lbs	
14.6 m	47' 11"	1020 kg	2250 lbs	
16.7 m	54' 9"	880 kg	2000 lbs	
18.9 m*	62' 0"	720 kg	1600 lbs	
21.1 m*	69' 3"	600 kg	1320 lbs	

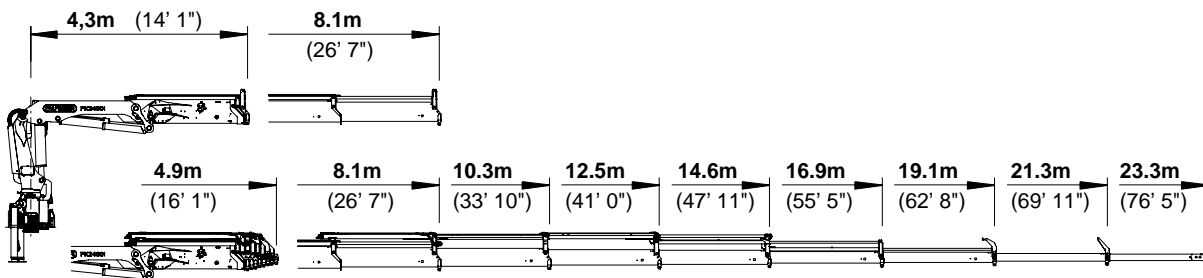
max.		6600 kg	14600 lbs	F
4.6 m	15' 1"	4550 kg	10000 lbs	
6.5 m	21' 4"	2900 kg	6400 lbs	
8.4 m	27' 7"	2000 kg	4450 lbs	
10.5 m	34' 5"	1460 kg	3250 lbs	
12.6 m	41' 4"	1140 kg	2500 lbs	
14.7 m	48' 3"	910 kg	2000 lbs	
16.8 m	55' 1"	770 kg	1700 lbs	
19.0 m	62' 4"	670 kg	1480 lbs	
21.2 m	69' 7"	560 kg	1240 lbs	
23.2 m*	76' 1"	480 kg	1060 lbs	

max.		6500 kg	14300 lbs	G
4.6 m	15' 1"	4350 kg	9600 lbs	
6.5 m	21' 4"	2750 kg	6100 lbs	
8.4 m	27' 7"	1900 kg	4200 lbs	
10.5 m	34' 5"	1360 kg	3000 lbs	
12.6 m	41' 4"	1020 kg	2250 lbs	
14.7 m	48' 3"	810 kg	1780 lbs	
16.9 m	55' 5"	660 kg	1460 lbs	
19.0 m	62' 4"	570 kg	1260 lbs	
21.2 m	69' 7"	500 kg	1100 lbs	
23.2 m*	76' 1"	430 kg	950 lbs	

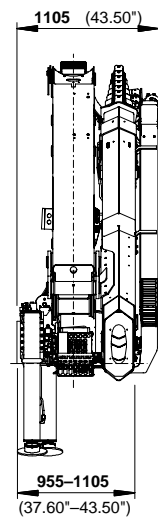
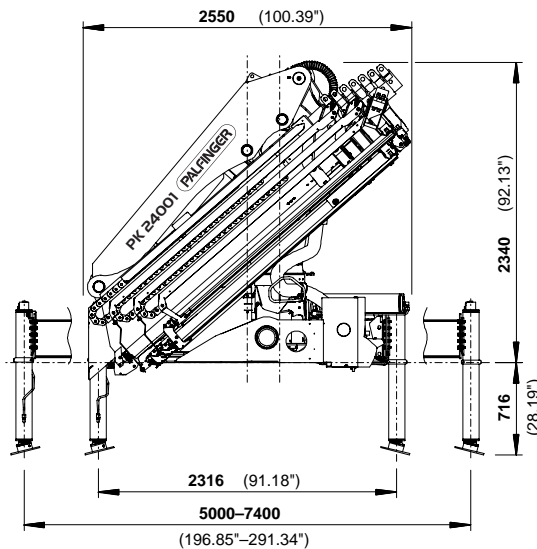
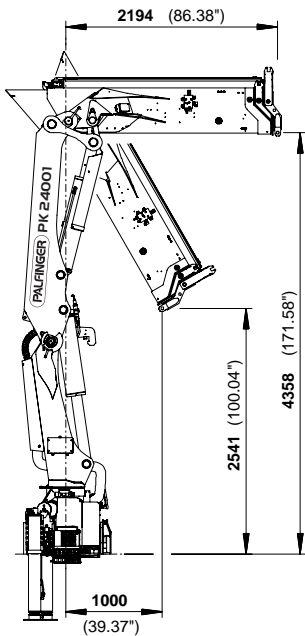
*mechanical extension

PERFECT DIMENSIONS

EXTENSION BOOM VARIATIONS



DIMENSIONS



Technical specifications

EN 12999 HC1 HD4/B3

PK 24001

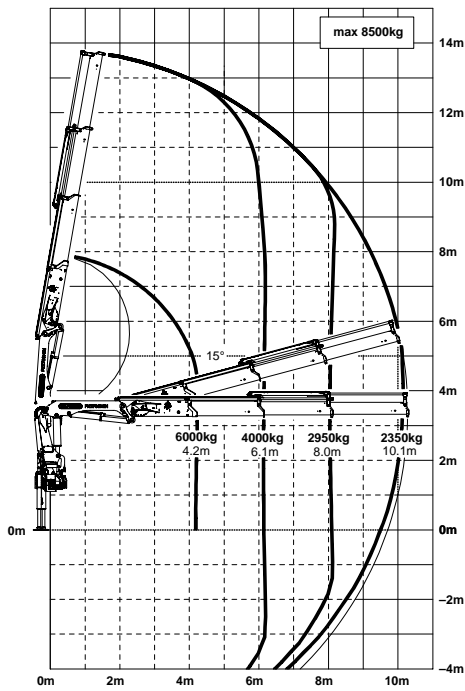
Max. lifting moment	23.9 mt/234.0 kNm	172580 ft.lbs
Max. lifting capacity	8500 kg/83.4 kN	18740 lbs
Max. hydraulic outreach	21.3 m	69' 11"
Max. manual outreach	23.3 m	76' 5"
Slewing angle	400°	
Slewing torque	2.8 mt/27.5 kNm	20206 ft.lbs
Stabiliser spread (std./max.)	5.0 m/7.4 m	16' 5" / 24' 3"
Fitting space required (std.)	0.96 m	3' 2"
Width folded	2.55 m	8' 4"
Max. operating pressure	320 bar	4640 psi
Recommended pump capacity	from 50 l/min to 75 l/min	13.2 US gal./min 19.8 US gal./min
Dead weight (std.)	2578 kg	5680 lbs

PK 27001 EH

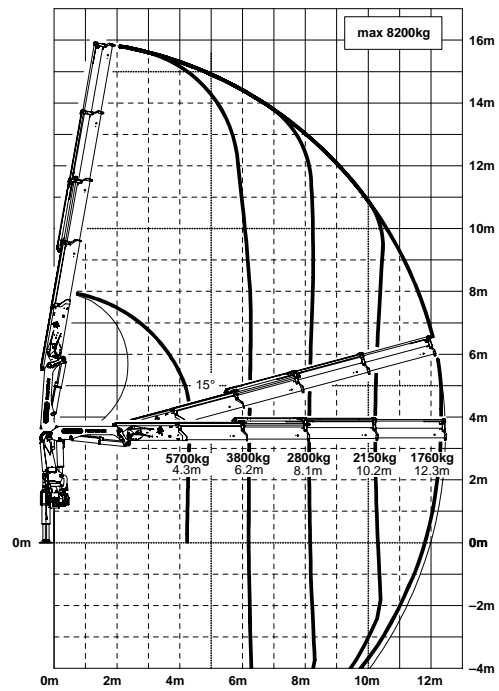
HIGH PERFORMANCE

Safe and comfortable working.

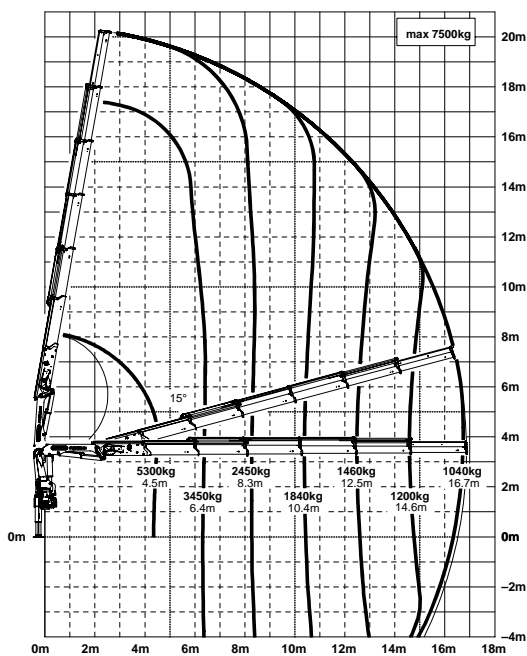
B



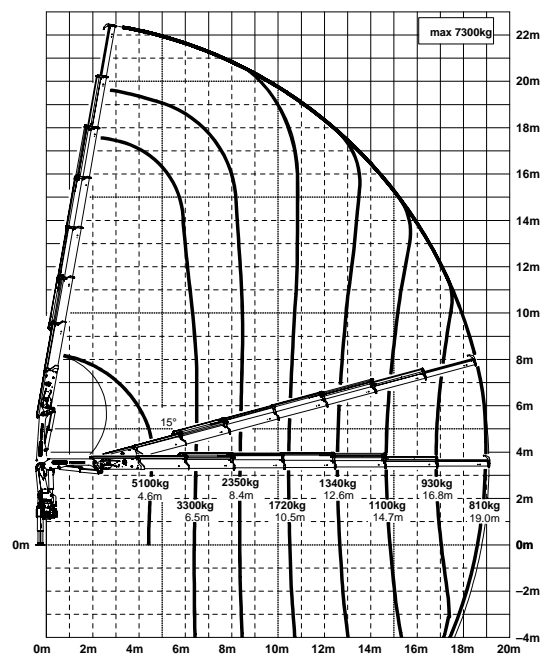
C



E



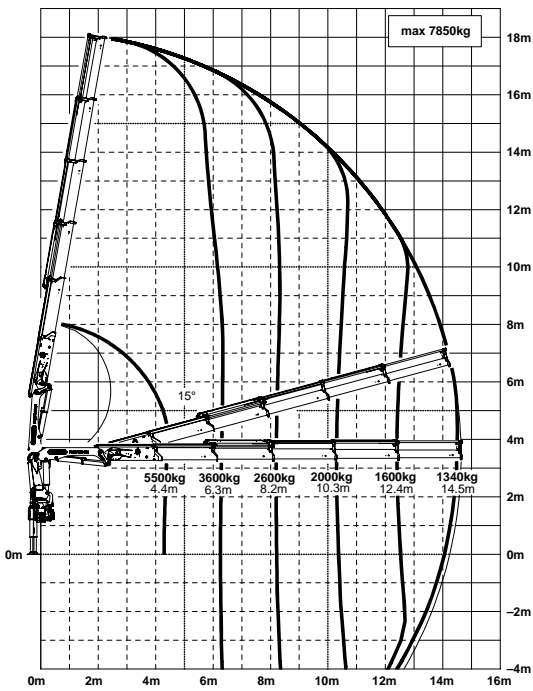
F



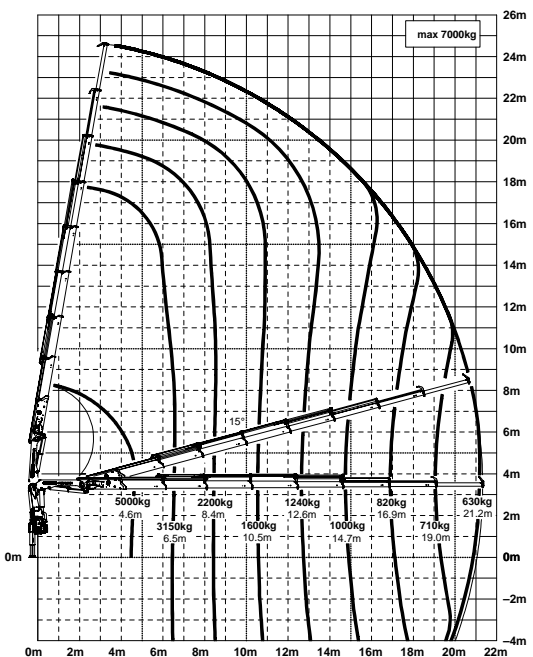
The outreaches stated are with a boom angle of 20° and are therefore not the maximum.

Lifting capacities

D



G



max.		8900 kg	19600 lbs	A
4.2 m	13' 9"	6200 kg	13700 lbs	
6.1 m	20' 0"	4200 kg	9200 lbs	
8.0 m	26' 3"	3150 kg	7000 lbs	

max.		8500 kg	18800 lbs	B
4.2 m	13' 9"	6000 kg	13100 lbs	
6.1 m	20' 0"	4000 kg	8800 lbs	
8.0 m	26' 3"	2950 kg	6500 lbs	
10.1 m	33' 2"	2350 kg	5100 lbs	

max.		8200 kg	18100 lbs	C
4.3 m	14' 1"	5700 kg	12600 lbs	
6.2 m	20' 4"	3800 kg	8300 lbs	
8.1 m	26' 7"	2800 kg	6100 lbs	
10.2 m	33' 6"	2150 kg	4750 lbs	
12.3 m	40' 4"	1760 kg	3900 lbs	
14.5 m*	47' 7"	1420 kg	3150 lbs	
16.7 m*	54' 9"	1160 kg	2550 lbs	

max.		7850 kg	17300 lbs	D
4.4 m	14' 5"	5500 kg	12100 lbs	
6.3 m	20' 8"	3600 kg	47900 lbs	
8.2 m	26' 11"	2600 kg	5800 lbs	
10.3 m	33' 10"	2000 kg	4350 lbs	
12.4 m	40' 8"	1600 kg	3500 lbs	
14.5 m	47' 7"	1340 kg	2950 lbs	
16.7 m*	54' 9"	1100 kg	2450 lbs	
18.9 m*	62' 0"	900 kg	2000 lbs	

max.		7500 kg	16600 lbs	E
4.5 m	14' 9"	5300 kg	11600 lbs	
6.4 m	20' 12"	3450 kg	7600 lbs	
8.3 m	27' 3"	2450 kg	5400 lbs	
10.4 m	34' 1"	1840 kg	4050 lbs	
12.5 m	41' 0"	1460 kg	3200 lbs	
14.6 m	47' 11"	1200 kg	2650 lbs	
16.7 m	54' 9"	1040 kg	2300 lbs	
18.9 m*	62' 0"	860 kg	1900 lbs	
21.1 m*	69' 3"	720 kg	1600 lbs	

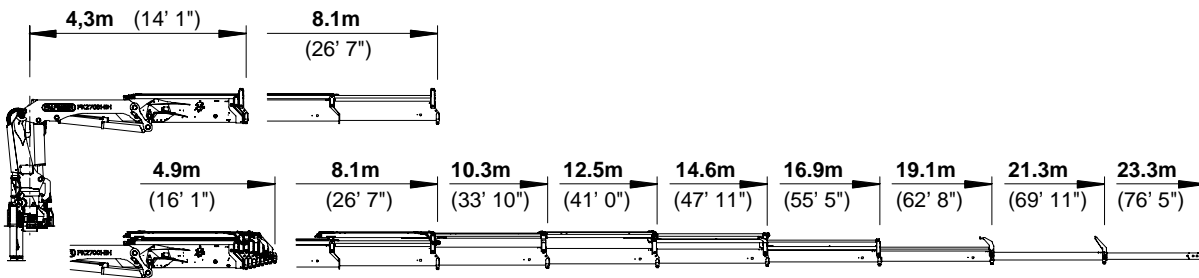
max.		7300 kg	16100 lbs	F
4.6 m	15' 1"	5100 kg	11200 lbs	
6.5 m	21' 4"	3300 kg	7300 lbs	
8.4 m	27' 7"	2350 kg	5200 lbs	
10.5 m	34' 5"	1720 kg	3800 lbs	
12.6 m	41' 4"	1340 kg	2950 lbs	
14.7 m	48' 3"	1100 kg	2400 lbs	
16.8 m	55' 1"	930 kg	2050 lbs	
19.0 m	62' 4"	810 kg	1800 lbs	
21.2 m	69' 7"	690 kg	1520 lbs	
23.2 m*	76' 1"	570 kg	1260 lbs	

max.		7000 kg	15500 lbs	G
4.6 m	15' 1"	5000 kg	10900 lbs	
6.5 m	21' 4"	3150 kg	7000 lbs	
8.4 m	27' 7"	2200 kg	4900 lbs	
10.5 m	34' 5"	1600 kg	3550 lbs	
12.6 m	41' 4"	1240 kg	2700 lbs	
14.7 m	48' 3"	1000 kg	2200 lbs	
16.9 m	55' 5"	820 kg	1820 lbs	
19.0 m	62' 4"	710 kg	1560 lbs	
21.2 m	69' 7"	630 kg	1380 lbs	
23.2 m*	67' 1"	540 kg	1200 lbs	

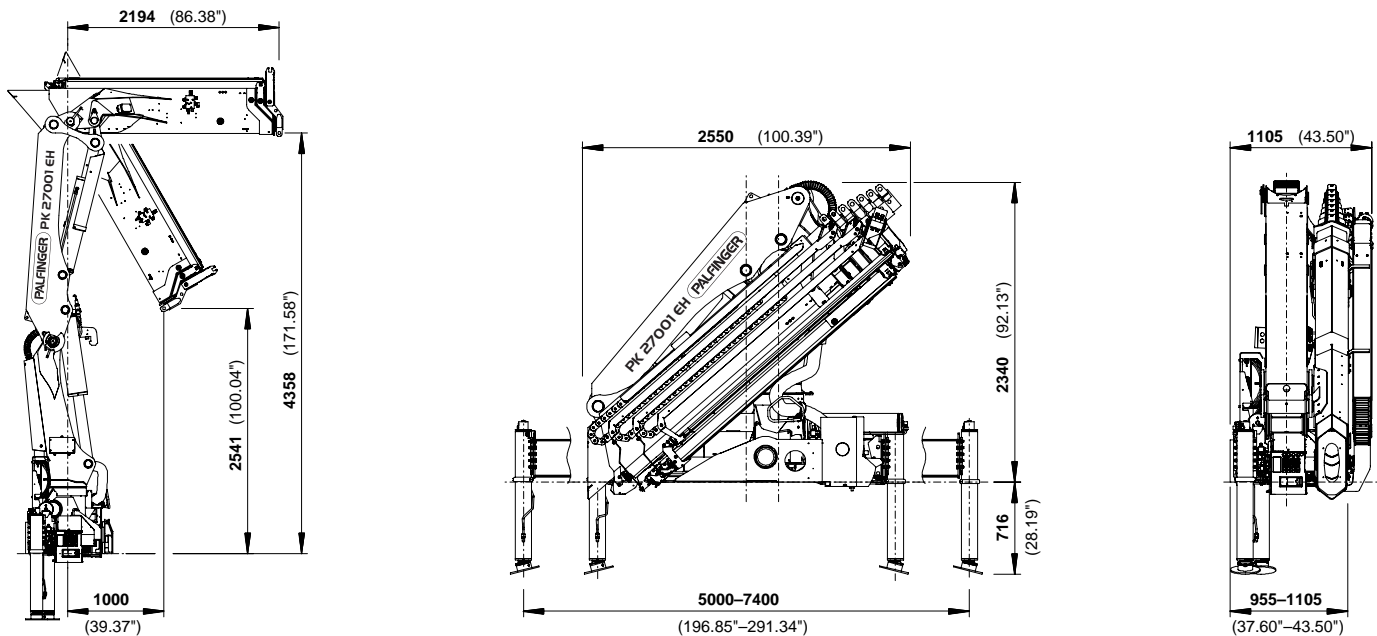
*mechanical extension

PERFECT DIMENSIONS

EXTENSION BOOM VARIATIONS



DIMENSIONS



PK 27001 EH

Technical specifications EN12999 HC1 HD4/B3

Max. lifting moment	26.5 mt/260.0 kNm	191750 ft.lbs
Max. lifting capacity	8900 kg/87.3 kN	19620 lbs
Max. hydraulic outreach	21.3 m	69' 11"
Max. manual outreach	23.3 m	76' 5"
Slewing angle	400°	
Slewing torque	2.8 mt /27.5 kNm	20260 ft.lbs
Stabiliser spread (std./max.)	5.0 m/7.4 m	16' 5" / 24' 3"
Fitting space required (std.)	0.96 m	3' 2"
Width folded	2.55 m	8' 4"
Max. operating pressure	350 bar	5075 psi
Recommended pump capacity	from 75 l/min to 100 l/min	19.8 US gal./min 26.4 US gal./min
Dead weight (std.)	2578 kg	5680 lbs

Package model

- E-HPLS
- Paltronic 50
- Radio remote control with LED display
- Danfoss control valve or PVG2000
- 8.5 kW oil cooler
- 200 l oil tank



KP-H24/27001EM2+EN

Cranes shown in the leaflet are partially optional equipped and do not always correspond to the standard version. Country-specific regulations must be observed. Dimensions may vary. Subject to technical changes, errors and translation mistakes.