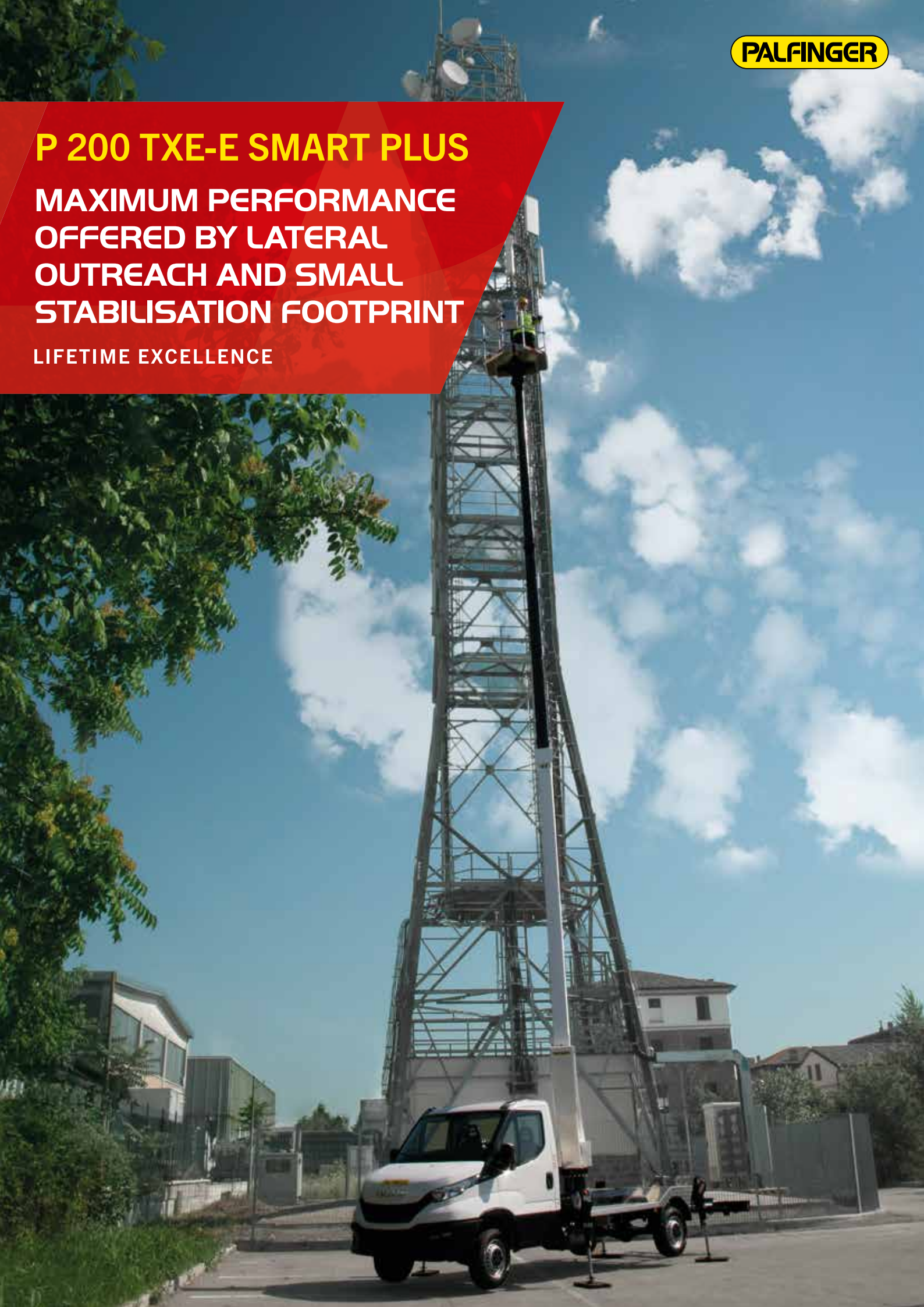


P 200 TXE-E SMART PLUS

**MAXIMUM PERFORMANCE
OFFERED BY LATERAL
OUTREACH AND SMALL
STABILISATION FOOTPRINT**

LIFETIME EXCELLENCE



STRENGTHS

- Advanced performance telescopic platform, mounted on a 3.5 tonne truck.
- Multifunction electric controls for greater precision, speed, and manoeuvring comfort
- Vertical stabilisation with frontwards extending outriggers which compensate for uneven and sloping ground
- Platform with three stabilisation possibilities for each working condition:
 - Within the outer vehicle limits: for maximum compactness overall within small spaces
 - With front crossmembers extended: for maximum performance when working in elevated positions
 - Partial stabilisation: for maximum performance with minimum overall dimensions.

STANDARD

- 12V socket on basket
- 230V / 16A socket A or 110V / 16A socket on basket
- Aerial section centring display for aerial part closing
- Air/water line from the column to the basket
- Anti-collision system Cab/boom
- Cage rotation 90°+ 90°
- Electric hour meter
- Inclinator with audio alarm signal and signal lights relating to aerial work conditions
- Painting with cathaphoresis process, with KTL system patented by PALFINGER
- Preparation for insulation upgrade ability
- Set of 4 spreader plates with proper housing on the chassis
- Top boom protection.





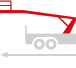



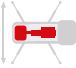



MAIN ACCESSORIES

- 12V electric pump for emergency lowering
- 230V / 16A or 110V / 16A electric pump
- Automatic aerial section closure
- Brushes kit on telescopic boom
- Fibreglass basket instead of the standard aluminum version
- 1000V insulation on fibreglass basket
- Flashing light at turntable
- Folding left and right side bordering h 200 mm
- Plastic storage toolbox at the rear
- Side protection
- Wired remote control for emergency commands.

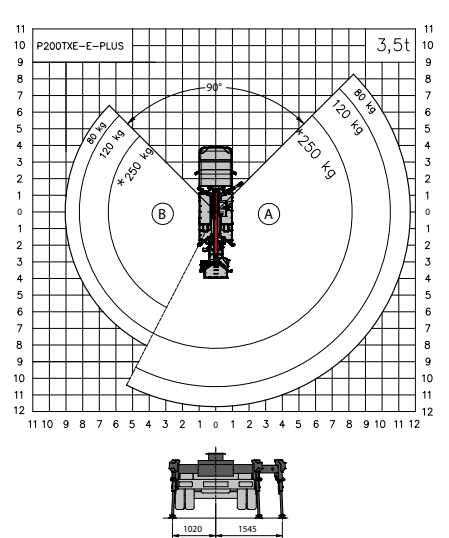
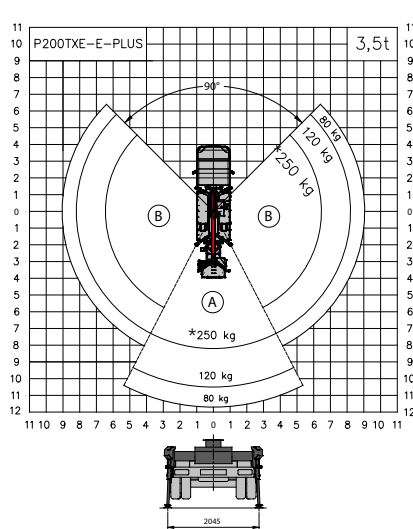
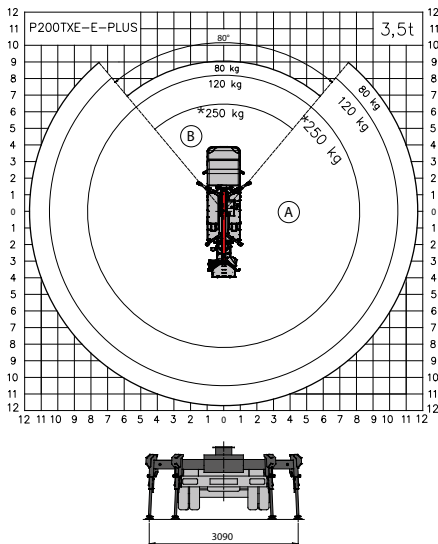
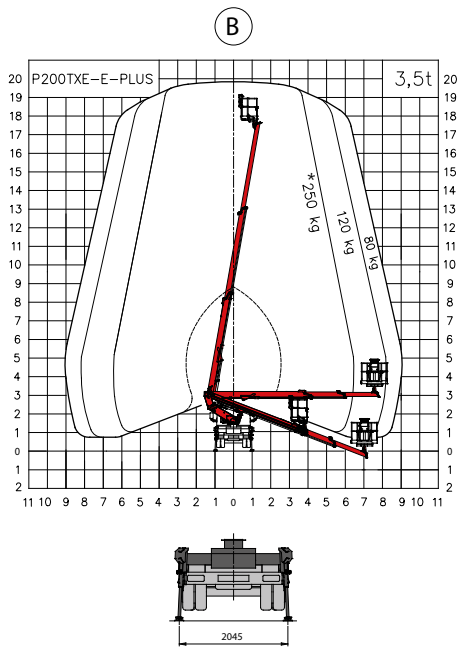
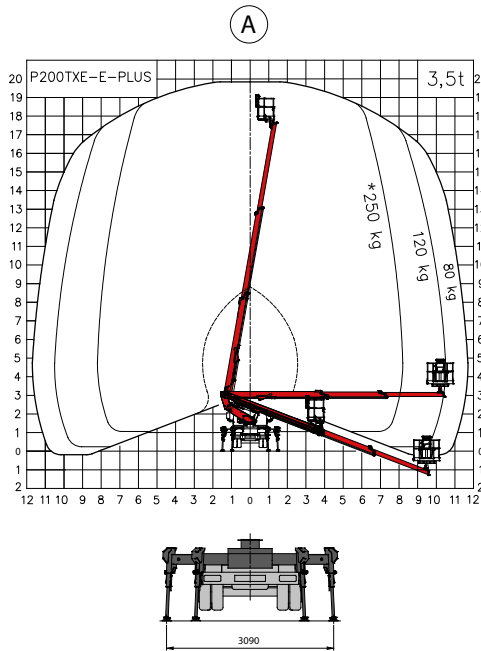
DIMENSIONS



TECHNICAL DATA

	Max. working height	19.8 m		Basket dimensions	2x90°
	Max. working height from platform deck	17.8 m		Max. load permitted on basket	m 1.4 x 0.84 x 1.1 h
	Max. working outreach	11.7 m		Max. carico ammesso per cestello	250 kg - 230 kg (FBG)
	Min. outrigger width	2.0 m		Stabilization	Vertical, with front arms extendable hydraulically
	Max. outrigger width	3.1 m		Gross vehicle weight	3.5 t
	Operating angle of main arm	-21°/+80°			
	Turret rotation	370°			

WORK AREA



Weights may vary by +/- 5%
 Technical data may vary by +/- 3%
 *230 kg for FBG basket

CONTACT DETAILS**PALFINGER PLATFORMS ITALY SRL**

Via Enrico De Nicola, 31
41122 Modena (MO) - Italy
TEL: +39 059 252426
EMAIL: info@palfingerplatformsitaly.it

KP-P200TXEPM1+EN

The illustrations in the brochure may show units equipped with optional accessories and not always the standard version. National legislation must be complied with during construction/assembly. The dimensions stated are not binding. The company cannot be held responsible for any changes in technical information, inaccuracies, or translation errors.