

PREMI^A EM

PBV/PBF20N3D(R)(S) Series

DOUBLE PALLET HANDLER

2.0 tonnes

ONE EXCEPTIONAL TRUCK DOUBLE THE PRODUCTIVITY

The PREMI^A EM double pallet handler is built for highly demanding work where performance and precision are key. It's available in both fixed platform and folding platform configurations with fast acceleration and drive speeds, and market-leading lifting and lowering speeds. The initial lift feature allows for higher ground clearance when needed and allows for the transportation of stacked pallets, doubling productivity, and reducing the time needed to move them from A to B.

SPECIFICATIONS

PBV20N3D
PBF20N3DR
PBF20N3DS



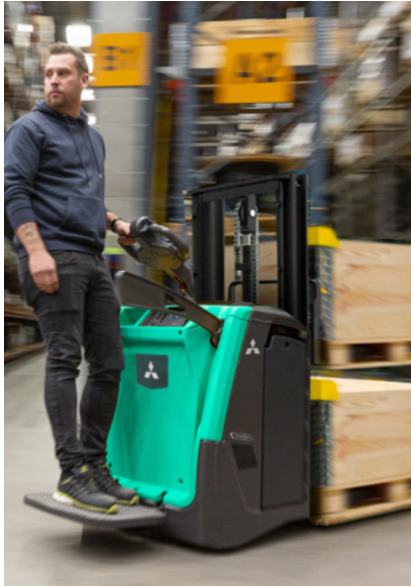
WHEN
**RELIABILITY IS
EVERYTHING...**

PREMI^A EM

PBV/PBF20N3D(R)(S) Series

DOUBLE PALLET HANDLER

2.0 tonnes



It's an ideal choice for pallet transfer work in busy logistics terminals, industrial warehouses, and for loading and unloading vehicles thanks to a host of cutting-edge features. Market-leading lifting and lowering speeds means the time per pallet moved stays as low as possible, giving a much lower total cost of operation. Robust construction and legendary Mitsubishi Forklift Trucks reliability means it can stand up to the most strenuous shifts and keep uptime at a maximum.

But high performances and long shifts aren't achieved if the operator isn't at their best. The patented DriveSteady and TractionPlus systems ensure outstanding drive wheel pressures, excellent shock absorption and side stability when cornering, making for a smoother, safer ride throughout. The best-in-class ErgoSteer tiller head makes operation simple, comfortable, and intuitive for operators, keeping them fully focused on the task in hand.

And with the option of drive speeds up to 12.5 km/h, the PREMIA EM DPH is truly a warehouse powerhouse.

BRAKES

- **Parking brake**
Automatically activated when necessary for extra safety on ramps.

DRIVE

- **Powerful, sealed AC motor**
High torque for greater efficiency. No carbon brushes mean lower servicing requirements.
- **Sealed transmission**
Shock-resistant, quiet and requires little maintenance.



- **Dust-shielded load wheels**
Less maintenance and component replacement required.

ELECTRICAL AND CONTROL SYSTEMS

- **Waterproof wiring and connectors**
Sealed compartment prevents system failure and corrosion from water and dust.
- **Combi controller lift system**
Fingertip control for speed regulated lifting and proportional valve for lowering.
- **Versatile battery compartment**
Accommodates DIN and BS size batteries to ensure maximum compatibility with user equipment.
- **Battery access**
Battery can be accessed from above to check electrolyte status or pulled out on steel rollers for battery change over.
- **Mounted battery plug**
Plug is contained within a tray so there is no risk of loose cables getting caught when changing the battery.

- **Built-in Li-ion battery**
Fast opportune charging removes the need for extra batteries and allows 24/7 operation. (Option on mini and junior chassis).

FORKS

- **Robust forks**
Strong welded construction, angled at the front for effortless pallet entry with blunt tips for reduced pallet damage.

- **Lift heights of 1790mm and 2090mm**
Ideal for handling on steep ramps, loading docks and uneven surfaces.

- **Initial lift**
This allows for better ground clearance on ramps and inclines, and allows for double pallet handling.

- **Market-leading lifting and lowering speed**
Productivity can be kept consistently high.

FRAME AND BODY

- **Sealed chassis**
Internal components are protected against water, dirt, dust and debris, reducing downtime and servicing.
- **Two linked castor wheels**
Unique patented castor wheel design allow both damping over dock levellers and adds stability when cornering.
- **Shared components in low lifters**
Service costs and downtime are kept to a minimum.
- **DriveSteady**
Innovative patented traction, dampening and stability systems are all optimised to work in close harmony and produce unequalled drivability and stability — particularly beneficial when cornering.

- **Steel-plated rear bumper**
Bumper is angled low to prevent foot injuries.

- **Compact chassis**
Robust and highly optimised to be the shortest in its class.



For more information on PREMIA EM DPH please visit our website



mft2.eu/premiaempbv

PREMI^A EM

PBV/PBF20N3D(R)(S) Series

DOUBLE PALLET HANDLER

2.0 tonnes

OPERATOR COMPARTMENT AND CONTROLS

- Overhead guard**
 Safer operation and additional protection (Option. Mandatory on lift heights above 1.8m).
- PIN-code access**
 Stops unauthorised truck use and keeps you aware of who's operating at all times.
- Choice of three operating modes (PRO, ECO and Easy)**
 Different driver modes: PRO for advanced drivers, ECO for low energy consumption, Easy for sensitive goods or beginners.
- Ergonomic ErgoSteer tiller head**
 Best-in-class, weather-protected and impact-resistant tiller head with large, easy-to-reach buttons placed at a patented ergonomic distance for reduced fatigue and safer operation. IP65 rated.
- Long tiller arm**
 The standard mechanical steering option offers easy steering for low-intensity work.
- Power steering**
 Power steering on short tiller arm has a reduced steering angle for comfortable, precise control and smooth cornering. (Option on foldable platform models)
- TractionPlus**
 Spring-loaded and hydraulically pressurised system works with DriveSteady to continuously increase pressure of the drive wheel. This ensures optimum traction on wet surfaces for better productivity and minimal risk of accidents.
- Pivot steering**
 Electric-powered steering without arm offers less operator fatigue in combination with the ergonomic platform. (Standard on side entry models, option on rear entry models)
- Ultra-low step height**
 Operators stay more productive throughout shifts thanks to easy on/off access - an important feature on side entry trucks frequently used for order picking operations.
- Dampened platform**
 Foldable platforms and side/rear entry platforms are dampened to ensure minimum vibrations and bumps for greater operator comfort. (All models)
- Adjustable EasyRide electric dampening**
 Unique electric dampening capability allows operator to adjust the platform to their weight - ideal for applications on ramps or loading docks. (Option on platform trucks)
- Foot protection**
 If the operator's foot is outside of the platform, the truck reduces speeds and stops to prevent risk of injury. (rear entry models only)

- Foldable side bars**
 High, cushioned ergonomic side bars can be moved up or down and can be quickly switched to suit different operations.
- Cast iron driver platform**
 Robust and cushioned.
- Battery discharge indicator**
 Fitted as standard for battery protection and preventing deep discharge.
- Multi-function display**
 Shows truck mode, status and drive speeds using easy to read icons, as well as error codes. (Option)

OTHER FEATURES

- RapidAccess features**
 These allow quick and easy entry to all areas for checks and maintenance.
- Storage compartment**
 Operator can store tools and other required items.



For more information on PREMI^A EM DPH please visit our website

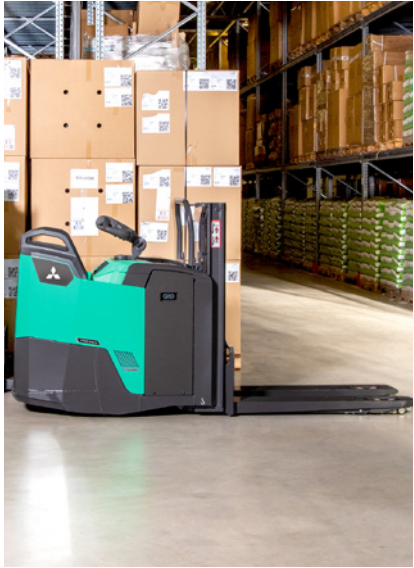




PREMIA EM

OPTIONAL LI-ION BATTERY SYSTEMS

MAKE YOUR FORKLIFT GO EVEN FURTHER



Tried, tested and proven in the field, lead-acid batteries have been the long-standing choice for companies employing electric lift trucks. However, with long charging times, demanding maintenance requirements, the need for extra batteries, and high risk of operator misuse, day-to-day use can be a challenge.

Fortunately, there's a new battery system on the block: Li-ion from Mitsubishi Forklift Trucks.

Designed to meet your business' demands — including multi-shift (24/7) operations — without the need for spare batteries, our high-performance Li-ion battery system is up to 30% more efficient than lead-acid counterparts. Plus, it's virtually error-proof, thanks to its ultra-low-maintenance design which prevents cell damage.

- **Gas-emission free**
No need for air ventilation.



Li-ion battery option is available in selected regions.

Continuing improvement may lead to changes in these specifications

- **Exceptional high battery and charger efficiency**
State-of-the-art technology delivers up to 30% more power efficiency than lead-acid batteries.
- **Maintenance-free design**
No need for daily checks and water re-fills. This reduces the risk of operators damaging cells and reducing their lifetime. Needs a full charge each week to activate cell balancing.
- **No need for spare batteries or charging room**
You can save both space and costs in multi-shift applications, maximising profitability.
- **Quick charge capabilities**
Just 15 minutes is all your battery needs to keep your truck going for a few more hours. It only takes 1 to 2 hours to fully charge a completely discharged battery.
- **Higher sustained voltage**
This gives more consistent lifting and driving performance — particularly noticeable towards the end of a shift.
- **Multiple safety features**
This includes circuit protection, deep-discharge and overcharge protection, and individual cell temperature and voltage monitoring.
- **On-the-go performance and monitoring**
The system's integrated monitoring system has an easy-to-read display unit.
- **Wide choice of battery and charger capacities**
The most suitable power supply can be matched to the exact requirements of a specific application.



Clean Li-ion batteries are ideal for sensitive environments such as those in the food or packaging industries.

Fully integrated Li-ion battery

Features a sophisticated CANbus communication and an automatic ON/OFF synchronization between battery and truck. Battery level, notifications and alarms are integrated into the truck display, to secure clear and easy overview for the truck operator.

For more information on Li-ion please visit our website



mft2.eu/ion

VDI - PERFORMANCE & DIMENSIONS

CHARACTERISTICS				Mitsubishi Forklift Trucks	Mitsubishi Forklift Trucks	Mitsubishi Forklift Trucks
1.1	Manufacturer			PBV20N3D	PBF20N3DR	PBF20N3DS
1.2	Manufacturer's model designation			Battery	Battery	Battery
1.3	Power source			Pedestrian / stand-on	Stand-on	Stand-on
1.4	Operator type			2000 / 1000+1000	2000 / 1000+1000	2000 / 1000+1000
1.5	Load capacity	Q	kg	600	600	600
1.6	Load center distance	c	mm	975	975	975
1.8	Load wheel axle to fork face (forks lowered)	x	mm	1613	1613	1613
1.9	Wheelbase	y	mm			
WEIGHT						
2.1b	Truck weight without load, with maximum battery weight		kg	1050	1220	1220
2.2	Axle loadings with nominal load & maximum battery weight, drive / load side		kg	1230 / 1820	1400 / 1820	1400 / 1820
2.3	Axle loadings without load & with maximum battery weight, drive / load side		kg	780 / 270	960 / 260	960 / 260
WHEELS, DRIVE TRAIN						
3.1	Tyres: PT = Power Thane, Vul = Vulkollan, P = Polyurethane, N = Nylon, R = Rubber drive / load side			Vulkollan	Vulkollan	Vulkollan
3.2	Tyre dimensions, drive side		mm	235 x 75	235 x 75	235 x 75
3.3	Tyre dimensions, load side		mm	85 x 75	85 x 75	85 x 75
3.4	Castor wheel dimensions (diameter x width)		mm	150 x 55	150 x 55	150 x 55
3.5	Number of wheels, load / drive side (x = driven)			4 / 1x + 2	4 / 1x + 2	4 / 1x + 2
3.6	Track width (center of tyres), drive side	b10	mm	520	520	520
3.7	Track width (center of tyres), load side	b11	mm	390	390	390
DIMENSIONS						
4.2a	Height with mast lowered	h1	mm	1320 / 1470	1320 / 1470	1320 / 1470
4.3	Free lift	h2	mm	0	0	0
4.4	Lift height	h3	mm	1700 / 2000	1700 / 2000	1700 / 2000
4.5	Height with mast extended	h4	mm	2170 / 2470	2170 / 2470	2170 / 2470
4.6	Initial lift	h5	mm	120	120	120
4.7	Height to top of overhead guard	h6	mm	2283	2283	2283
4.8	Seat- or stand height	h7	mm	171	170	170
4.10	Height of support legs	h8	mm	87	87	87
4.15	Fork height, fully lowered	h13	mm	90	90	90
4.19	Overall length	l1	mm	2142 / 2500	2532	2532
4.20	Length to fork face	l2	mm	972 / 1330	1362	1362
4.21	Overall width	b1/b2	mm	740	740	740
4.22	Fork dimensions (thickness, width, length)	s/e/l	mm	70 / 180 / 1170	70 / 180 / 1170	70 / 180 / 1170
4.24	Fork carriage width	b3	mm	670	670	670
4.25	Outside width over forks (minimum / maximum)	b5	mm	570	570	570
4.32	Ground clearance at center of wheelbase, (forks lowered)	m2	mm	20-140	20-140	20-140
4.34a	Working aisle width (Ast) with 800 x 1200 mm pallets, load lengthwise	Ast	mm	2585 / 2943	2980	2980
4.34c	Working aisle width (Ast) with 800 x 1200 mm pallets, load lengthwise, platform up/down	Ast	mm	2585 / 2943	2980	2980
4.35	Turning radius	Wa	mm	1902 / 2260	2292	2292
PERFORMANCE						
5.1	Travel speed, with / without load		km/h	10.0 / 10.0	10.0 / 10.0	10.0 / 10.0
5.2	Lifting speed, with / without load		m/s	0.22 / 0.43	0.22 / 0.43	0.22 / 0.43
5.3	Lowering speed, with / without load		m/s	0.50 / 0.53	0.50 / 0.53	0.50 / 0.53
5.7	Gradeability, with / without load		%	11.6 / 19.4	11.6 / 17.5	11.6 / 17.5
5.9	Acceleration time (10 metres) with / without load		s	6.1 / 4.9	6.2 / 5.0	6.2 / 5.0
5.10	Service brakes (mechanical / hydraulic / electric / pneumatic)			Electric	Electric	Electric
ELECTRIC MOTORS						
6.1	Drive motor capacity (60 min. short duty)		kW	2.4	2.4	2.4
6.4	Battery voltage/capacity at 5-hour discharge		V/Ah	24 / 222-400	24 / 222-400	24 / 222-400
6.5	Battery weight		kg	285-350	285-350	285-350
MISCELLANEOUS						
8.1	Type of drive control			AC	AC	AC

PREMIA EM

PBV/PBF20N3D(R)(S) Series

DOUBLE PALLET HANDLER

2.0 tonnes



PBV20N3D



PBF20N3DR



PBF20N3DS

Ast = Wa-x+l6+200
Ast = Working aisle width
Wa = Turning radius

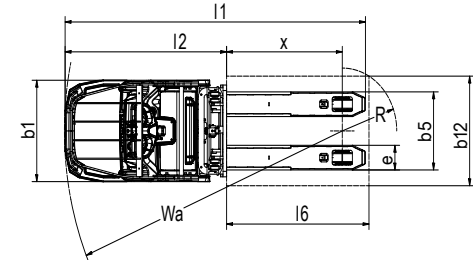
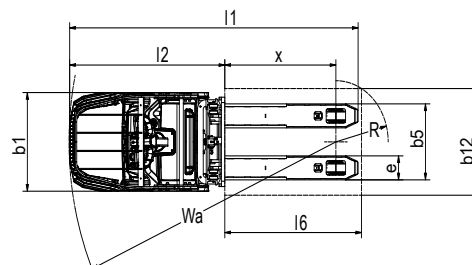
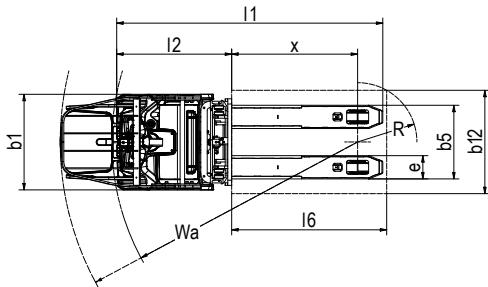
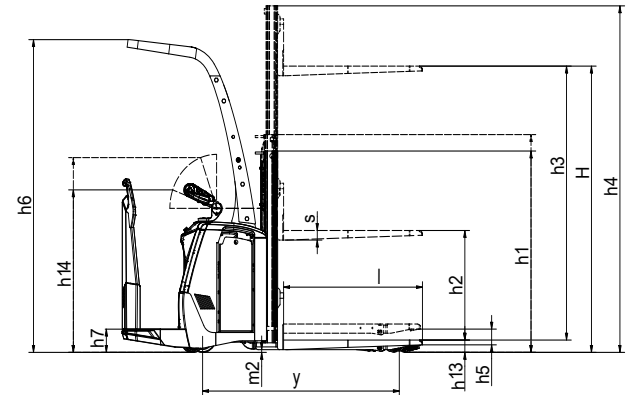
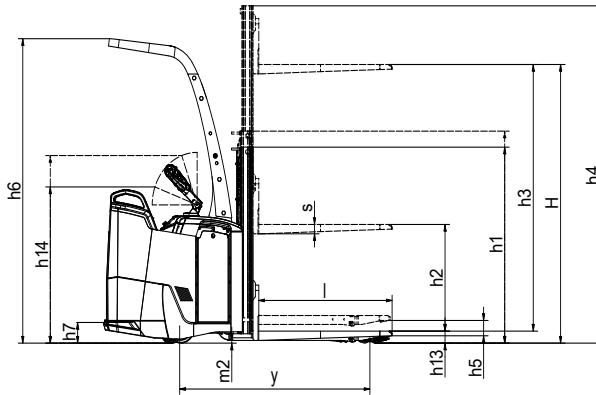
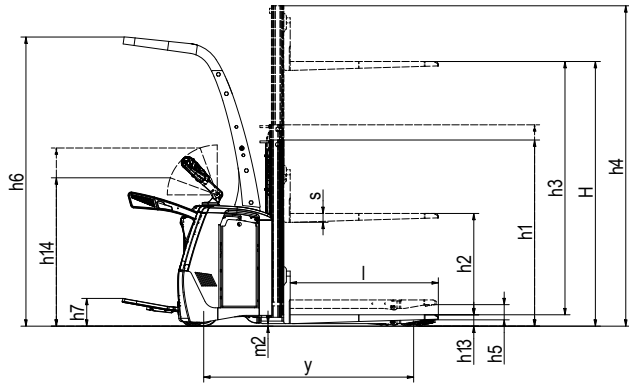
VDI-DIMENSIONS, MAST PERFORMANCE AND CAPACITY

PREMIA EM

PBV20N3D

PBF20N3DR

PBF20N3DS



DS = Duplex with clear view mast
 h3 + h13 = Lifting height
 h1 = Lowered mast height
 h4 = Raised mast height
 h2 + h13 = Free lift

MAST TYPE Narrow	h3 + h13 mm	h1 mm	h4 mm	h2 + h13 mm
DS	1790	1320	2170	90(h2=0)
	2090	1470	2470	90(h2=0)

STANDARD EQUIPMENT & OPTIONS

- = Standard
- = Option

	PBV20N3D	PBF20N3DR	PBF20N3DS
GENERAL			
Micro-computer with standard display incl. hour meter and battery indicator	●	●	●
Initial straddle lift	●	●	●
Foldable platform with foldable side protection bars	●	-	-
Fixed platform, rear entry	-	●	-
Fixed platform, side entries	-	-	●
Mechanical steering tiller arm	●	-	-
Power steering tiller arm	●	●	-
Pivot (comfort) steering	-	●	●
Crossway pallet indication on forks, for EU pallet long side handling	●	●	●
Vulkollan® drive wheel	●	●	●
Tandem load wheels dia 85 mm, Vulkollan®	●	●	●
Single load wheel dia 85 mm (max. load weight = 1600 kg)	●	●	●
Closed pallet entry/exit, climbing wheels	●	●	●
Quick release of battery lock	●	●	●
Battery steel rollers	●	●	●
POWER SOURCE			
Li-ion batteries*	●	●	●
Lead-acid batteries	●	●	●
ENVIRONMENT			
Grease nipples in lifting profiles and rust protected axles	●	●	●
Chill store design, down to -10°C	●	●	●
Cold store design, down to -30C**	●	●	●
DRIVE AND LIFT CONTROLS			
Speed regulated lift motor and proportional valve for lowering, controlled by large rocker switch on tiller head	●	●	●
Tiller-up drive	●	-	-
WHEEL OPTIONS			
Vulkollan®	●	●	●
Tractothan	●	●	●
Super grip	●	●	●
OTHER OPTIONS			
Power steering	●	●	●
Multi-function display incl. BDI and hourmeter,	●	●	●
PIN code log in (99 codes) and graphic icons	●	●	●
Load guard backrest	●	●	●
Key switch entry	●	●	●
12V DC power socket	●	●	●
5V USB socket	●	●	●
Accessory rack	●	●	●
Writing desk incl. RAM C holder	●	●	●
Equipment holder RAM system size C	●	●	●
Equipment holder RAM system size C, 2 pcs	●	●	●
Equipment holder RAM size D	●	●	●
Working lights LED	●	●	●
Increased drive speed with/without load 10.0/12.5 km/h (only available with power steering)	●	●	●
Active Spin Reduction, ASR	●	●	●
Special RAL colour	●	●	●
Battery creep	●	●	●
Battery level audible warning	●	●	●
Service alarm	●	●	●
Automatic log off	●	●	●
Revert to low speed at log off	●	●	●
Revert to low speed at operator absent	●	●	●

* Li-ion battery option is available in selected regions.
 ** Not in combination with Li-ion battery

PREMIA EM

PBV/PBF20N3D(R)(S) Series

DOUBLE PALLET HANDLER

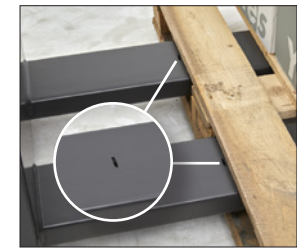
2.0 tonnes



Multifunction colour display



Standard display



Crossway pallet indication on forks



Mechanical tiller arm



Power tiller arm



Pivot (comfort) steering

WHEN RELIABILITY IS EVERYTHING...



PREMIA THE NUMBER ONE

Number one for reliability... number one for productivity... whatever the conditions.

Compact, efficient and resilient, PREMIA powered pallet trucks meet every need.

Like any product bearing the "MITSUBISHI" name our materials handling equipment benefits from the tremendous heritage, huge resources and cutting-edge technology of one of the world's largest corporations – Mitsubishi Heavy Industries Group.

Engineering spacecraft, jet planes, power plants and more, MHI specialises in those technologies where performance, dependability and superiority decide your success or failure...

So when we promise you quality, reliability and value for money, you know it's a guarantee we have the power to deliver.

That's why every model in our award-winning and comprehensive range of lift trucks and warehouse equipment is built to a high specification – to ensure it keeps working for you. Day after day. Year after year. Whatever the job. Whatever the conditions.

YOU'LL NEVER WORK ALONE

As your local authorised dealer, we are here to keep your trucks working – through our extensive experience, our technical excellence and our commitment to customer care.

We are your local experts, backed by efficient channels to the entire organisation of Mitsubishi Forklift Trucks.

No matter where you are, we are close by – with the capability to meet your needs.

Discover how Mitsubishi Forklift Trucks give you more from your local authorised dealer or when you visit our website www.mitforklift.com

Performance specifications may vary depending on standard manufacturing tolerances, vehicle condition, types of tyres, floor or surface conditions, applications or operating environment. Trucks may be shown with non-standard options. Specific performance requirements and locally available configurations should be discussed with your distributor of Mitsubishi forklift trucks. We follow a policy of continual product improvement. For this reason, some materials, options and specifications could change without notice.

info@mitforklift.com

WESM2217 (10/22) © 2023 MLE



Mitsubishi Logisnext Europe B.V.
Hefbrugweg 77, 1332 AM Almere
The Netherlands
Tel: +31 (0)36 5494 411



mft2.eu/fb



mft2.eu/apps



mft2.eu/youtube



mft2.eu/facebook

