

KOMATSU

WA500-8 Stone Handler



Wheel loader

Engine power
266 kW / 357 HP @ 1900 rpm

Operating weight
38145 kg

Payload
max. 26 ton

Stone Handler

For efficient operations, stone handling requires robust machinery. Komatsu wheel loaders are well-known for their exceptionally strong design, and their long service life even when working under the toughest conditions. The Komatsu WA500-8 in its stone handling specification perfectly adapts to the special requirements of this application. The combination of the modified base machine with a wedge type quick coupler and a specially designed stone fork ensures optimum kinematics for daily work.

Special buckets are available on request, and hydraulic modifications to the base machine allow higher loads. In addition, reinforced axles, an axle oil cooling system and additional counterweights provide a package that meets the application requirements. To learn more about the Komatsu WA500-8 wheel loader, its operator comfort and maintenance advantages please see the sales brochure or contact your local Komatsu Distributor.



Stone handling equipment

- 21 or 26 ton version
- Stone forks
- Wedge type quick coupler
- Electro-hydraulic lock for quick coupler (no 3rd circuit required)
- Electronically controlled load stabilizer (ECSS II) (21 ton version only)

Modifications and equipments on the base machine

- Heavy counterweight (4975 kg)
- Reinforced axles
- Axle oil cooling system
- Reinforced center hinge pin
- Reinforced front frame
- Larger steering cylinders
- Adjusted hydraulic system (26 ton version only)



Heavy counterweight (4975 kg)



Reinforced center hinge pin, larger steering cylinders and adjusted hydraulic system

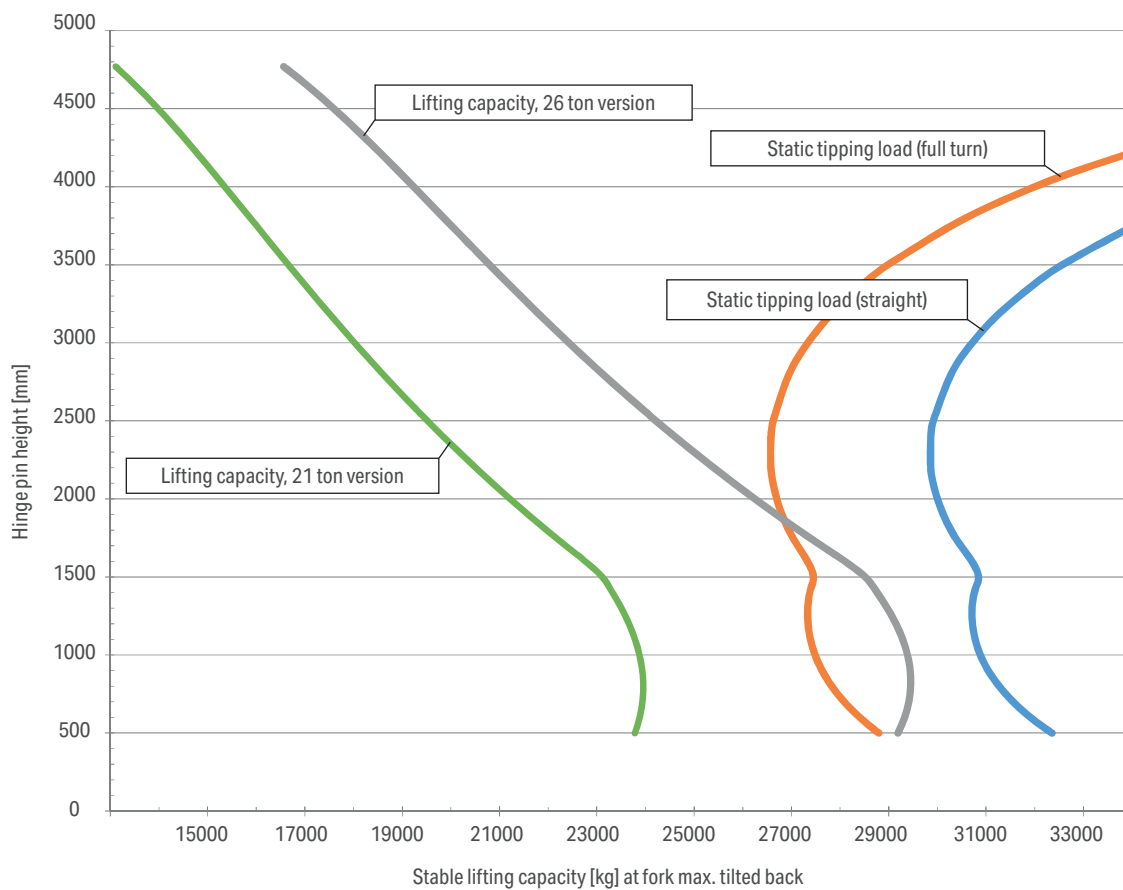


Reinforced axles and reinforced front frame



Axle oil cooling system

Lifting Capacity & Tipping Loads

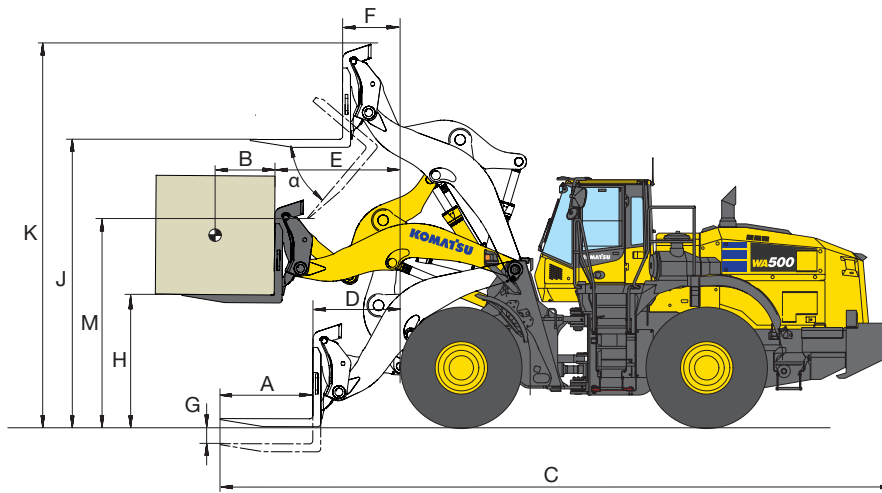


Dimensions and performance figures

Measurements and working specifications

Sales code wedge type quick coupler		Q211
Sales code stone fork		Q901
Weight stone fork	kg	2100
Weight of quick coupler	kg	750
A Tine length	mm	1400
B Load center	mm	900
C Overall length	mm	10300
D Reach with fork at ground level	mm	1300
E Reach with boom horizontal and fork leveled	mm	1900
F Reach with fork at maximum height	mm	855
G Ground to top of tine at minimum height & fork leveled	mm	225
H Ground to top of tine with arms horizontal and fork level	mm	2005
J Ground to top of tine at maximum height and fork level	mm <td 4365	
K Overall height of fork at full lift (top of carriage to ground)	mm	5805
M Clearance at full lift and maximum dump	mm	3130
α Maximum discharge angle at maximum height	°	50
Turning radius at corner of tyres 40°	mm	6270
Operating weight	kg	38145
Static tipping load, straight (fork leveled)	kg	23320
Static tipping load, 40° articulated (fork leveled)	kg	20875
Max. payload as per EN 474-3, 60%	kg	12525
Max. payload as per EN 474-3, 80%	kg	16700

Performance data refer to WA500-8 stone handler specification including wedge type quick coupler as well as stone fork and show the machine characteristics under aspects of balance and lift capacity only. Figures should not be used to define the maximum load capacity of the machine. Jobsite conditions and stone block dimensions vary which affects payload limitations.



Your Komatsu partner:

KOMATSU

komatsu.eu

