

KOMATSU[®]

C202E

Forestry Quality™

C202E

HARVESTING HEAD



Strong, durable and highly productive

The new C202E is an extremely high quality, highly productive and robust head. It is also something as unusual as a large head with a debarking function, ideal for hardwood. The quality and robustness is seen throughout – from the powerful frame and saw units to the sturdy brackets and dependable hydraulics. All to optimise reliability, service life and service friendliness.

And as if that's not enough. It is also the head that gives you freedom of choice. With several options you can customise the C202E exactly to your needs. As an example you can equip it with a drive, saw bar and chain for .404" pitch.

Or choose a vertical knife with a sensor to detect crookedness and thus improve operations in forests with crooked trees. Another option is a feed system for non-debarking. You decide.

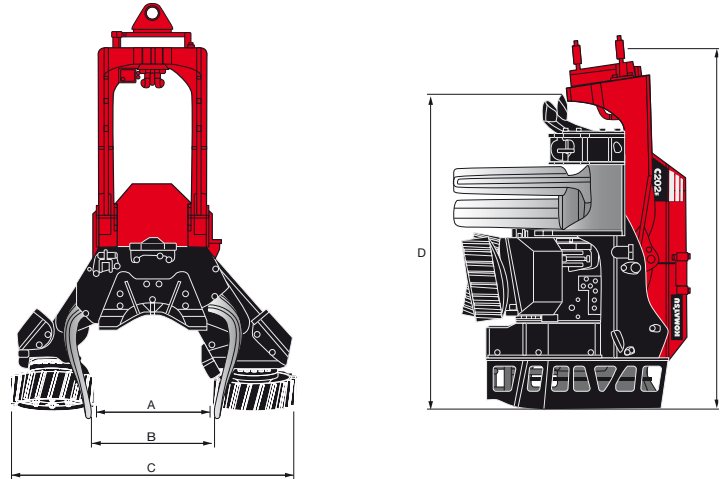
Yet another reason for choosing the C202E is its superb measurement precision. The Maxi control and information system gives you full control and automatically handles everything from clamping pressure to length and diameter measurement. So if you want a head that is just as durable and powerful as it is technically advanced – choose the Komatsu C202E!

TECHNICAL DATA

C202E

Komatsu C202E, highlights

- Highly productive debarking function
- Powerful, robust construction
- Extremely durable, engineered for tracked machines
- Ideal for hardwood
- Powerful control and information system
- Easy service
- Long service life
- Powerfully designed frame and saw units, feed roller arms, knife cylinders
- Stable hood attachment
- Expandable feed roller and delimiting knives
- Choice of equipping for .404" pitch (option)
- Vertical knife with crookedness sensor (option)
- Feed system for non-debarking (option)



Dry weight:	from 2,010 kg
Feed rate (debarking/non-debarking):	0-4.5/6 m/s
Feed force, gross (debarking/non-debarking):	35.5/26.6 kN
Feed wheel, type:	Steel rollers
Delimiting knives, max. amount:	4
Delimiting dia., tip-to-tip:	420 mm
Saw bar:	88 cm
Saw motor:	30 cm ³ /rev.
Felling diameter, theoretical max.:	650 mm
Requisite max. hydraulic flow:	320 l/min
Requisite max. hydraulic pressure:	30 MPa

A Roller opening, max.	650 mm
B Opening front knives, max.	675 mm
C Width, max.	1,575 mm
D Height to upper knife	1,745 mm
E Height including rotator	1,995 mm

NB: Refers only to one of several possible dimensional combinations and the head's weight is dependent on equipment options.

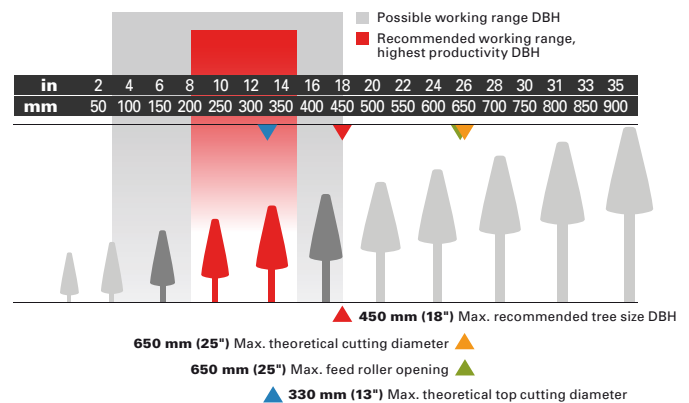
EQUIPMENT OPTIONS

Standard and extra equipment are market-dependent and vary between countries. Your sales representative has an up-to-date list of what is included.

Technical data/dimensions vary depending on optional equipment selected. Specifications and designs are subject to alteration without prior notice. Photos, diagrams, and figures do not always show the standard configuration.



ZONE OF APPLICATION



KOMATSU

Komatsu Forest AB
www.komatsuforest.com