

# Harvester heads



The right head for the job

# Creating value together

The forestry industry supplies valuable materials that benefit us all. From construction materials for homes and fences through to packaging for groceries and parcels, or even the pages of our kids' bedtime story books and the energy to heat our homes.

As a raw material, wood also plays an important role in the transition from fossil-based materials to more renewable alternatives. And it is your hard work that makes all this possible, so thank you!

We want to be a partner you can trust when creating these values. Komatsu has stood by your side for an entire century, offering unique quality, peace of mind, knowledge and support. Our way of working, from innovation to manufacturing, is distinguished by our partnership with you, our customers. Together, we create the solutions required to achieve a sustainable future for people, businesses and our planet.





# Large trees, crooked stems or rugged buttresses?

The choice of head always begins with the conditions faced in the forest. There are all kinds of trees, each of which poses different challenges and requires specialist solutions.

Our broad offering encompasses heads specially designed for particular types of forest and suitable for everything from initial thinning to final logging of the largest trees. We also offer a range of options that make our heads even more specialised, tailoring them to your particular needs.

# Make your working day more profitable

Regardless of the harvesting assignment, you need a head that delivers. Our C class heads offer high productivity combined with low energy consumption. Moreover, you can choose from several smart options for an even more productive working day.

C124



C164

## Innovative feed system

The C class head concept is based on the stem being supported and centred by the feed rollers, ensuring an effective feed with extremely low friction. The feed rollers are designed for maximum grip without damaging the stem.

While this provides a powerful and effective feed system, the low friction also means lower energy consumption. A profitable innovation, in other words.



### Constant Cut for the right cutting speed

Constant Cut delivers a high and constant chain speed throughout the cutting cycle without the risk of overspeeding the saw motor.

This ensures an effective cutting cycle while increasing safety. Constant Cut also helps minimise problems with cracks when cutting.

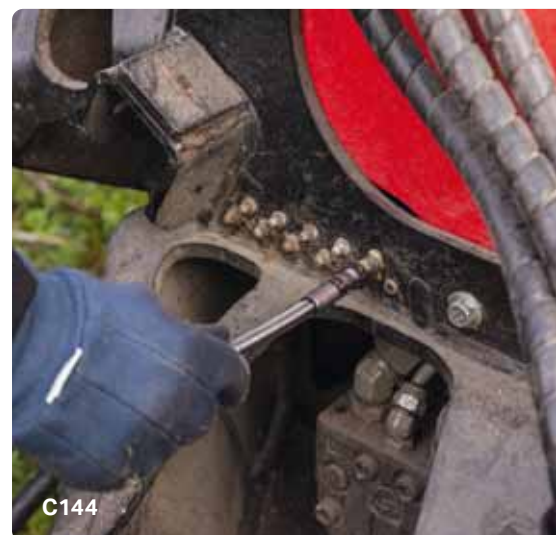
We offer two bar lengths, with the choice depending on the type of forest you harvest.



### Spend less time on service

We have strived to make your head as service-friendly as possible so that you can spend more of your time on actual harvesting.

Each head has a fixed service position for both lubrication and fluid top-ups, giving you peace of mind that the head remains in the right position during service. Our heads also have centralised lubrication points for easy access. Or to put it another way – maximum convenience.



## Working range – C class

	C93	C124	C144	C164
Felling/cutting diameter, max.	600 mm	650 mm	750 mm	830 mm
Delimiting diameter, tip to tip, max.	400 mm	470 mm	530 mm	620 mm
Head opening, max.	550 mm	625 mm	650 mm	750 mm
Recommended working range, highest productivity DBH	150–370 mm	180–440 mm	200–500 mm	300–600 mm

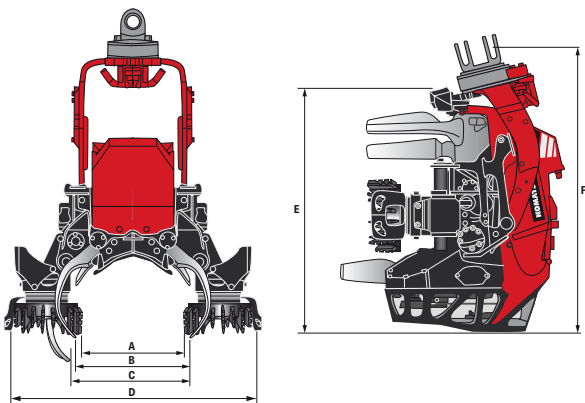


Read more about our heads at: [www.komatsuforest.com](http://www.komatsuforest.com)

# Productive and compact head for thinning dense forest stands

## C93 highlights

- Three-wheel feed combined with belly roller for effective feed
- Constant Cut
- Feed roller design for effective yet gentle timber handling
- Efficient hydraulic system for low-energy consumption
- Felling link with large tilt angle for rapid feed start and less strain on frame
- Robust chassis
- Length measurement with high measurement accuracy
- Optional multi-tree handling increases production capacity



### Dimensions

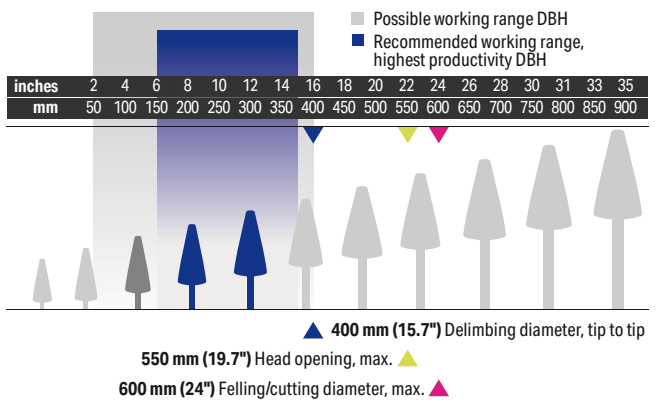
A. Feed roller opening, max.	550 mm
B. Opening, front knives, max.	610 mm
C. Opening, front right knife/rear knife	675 mm
D. Width, max.	1,410 mm
E. Height to top knife	1,370 mm
F. Height including rotator	1,530 mm

NB: Refers only to one of several possible dimensional combinations and the head's weight is dependent on any optional equipment.

### Optional equipment

Standard and extra equipment are market dependent and vary between countries. Your sales representative has an up-to-date list of what is included.

### Working range



### Technical data

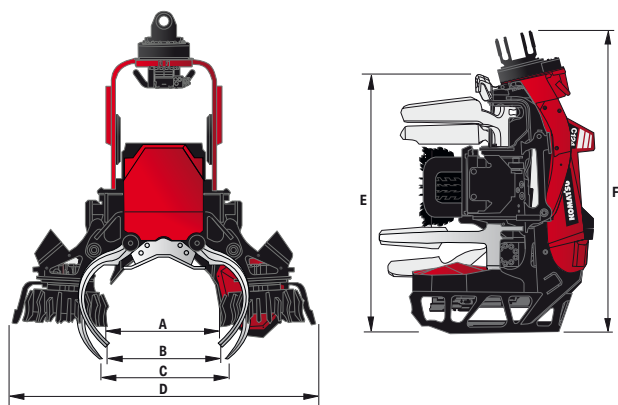
Weight (dry weight)	from 995 kg
Feed speed	0-5 m/s
Feed force, gross (engine-dependent)	22.5/28.4 kN
Feed rollers, type	Steel rollers
Delimiting knives, max. number	4
Delimiting diameter, tip to tip	400 mm
Saw bar	75 cm
Saw motor	19 cm <sup>3</sup> /rev.
Felling/cutting diameter, max.	600 mm
Hydraulic flow, max. (engine-dependent)	250/305 l/min
Hydraulic pressure, max.	28 MPa

Technical data/dimensions vary depending on any optional equipment. Specifications and designs are subject to alteration without prior notice. Photos, diagrams and figures do not always show the standard configuration.

# Productive, reliable and versatile

## C124 highlights

- Four-wheel feed combined with two belly rollers for high-feed force
- Constant Cut
- Cast delimiting knives for long service life
- Strong- and robust frame build
- Four movable delimiting knives for reliable stem holding
- Length measurement with high measurement accuracy
- Large tilt angle simplifies work in steep terrain
- Optional multi-tree handling function
- Integrated working lights (option)



### Dimensions

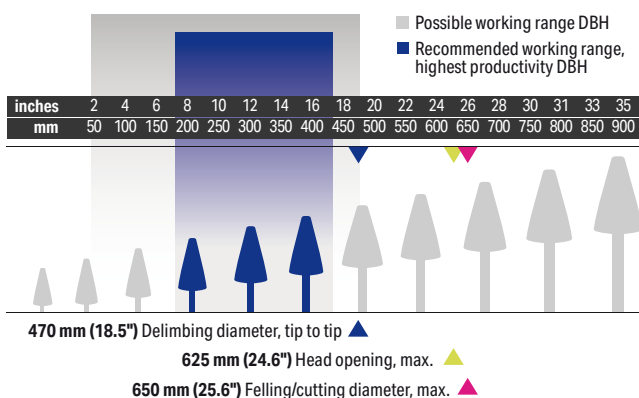
A. Feed roller opening, max.	670 mm
B. Opening, upper knives, max.	625 mm
C. Opening, lower knives, max.	700 mm
D. Width, max.	1,750 mm
E. Height to vertical knife	1,595 mm
F. Height including rotator	1,780 mm

NB: Refers only to one of several possible dimensional combinations and the head's weight is dependent on any optional equipment.

### Optional equipment

Standard and extra equipment are market dependent and vary between countries. Your sales representative has an up-to-date list of what is included.

### Working range



### Technical data

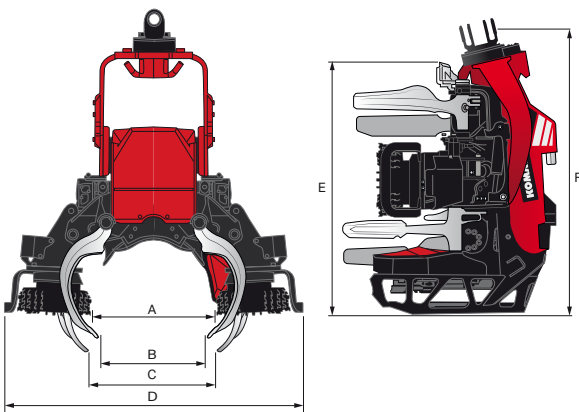
Weight (dry weight)	from 1,210 kg
Feed speed	0–5 m/s
Feed force, gross (engine-dependent)	23.7/28.3 kN
Feed rollers, type	Steel
Delimiting knives, total	5
Delimiting diameter, tip to tip	470 mm
Saw bar	75 cm or 82.5 cm
Saw motor	19 cm <sup>3</sup> /rev.
Felling/cutting diameter, max.	650 mm
Hydraulic flow, max. (engine-dependent)	255/300 l/min
Hydraulic pressure, max.	28 MPa

Technical data/dimensions vary depending on any optional equipment. Specifications and designs are subject to alteration without prior notice. Photos, diagrams and figures do not always show the standard configuration.

# Reliable and profitable head designed for challenging conditions

## C144 highlights

- Four-wheel feed combined with two belly rollers for high feed force
- Constant Cut
- Find End resets the length measurement without needing to cut the stem (option)
- Felling link with large tilt angle for rapid feed start and less strain on frame
- Four hydraulic delimiting knives
- Integrated working lights (option)
- Robust chassis
- Length measurement with high measurement accuracy
- Multi-tree handling (option)



### Dimensions

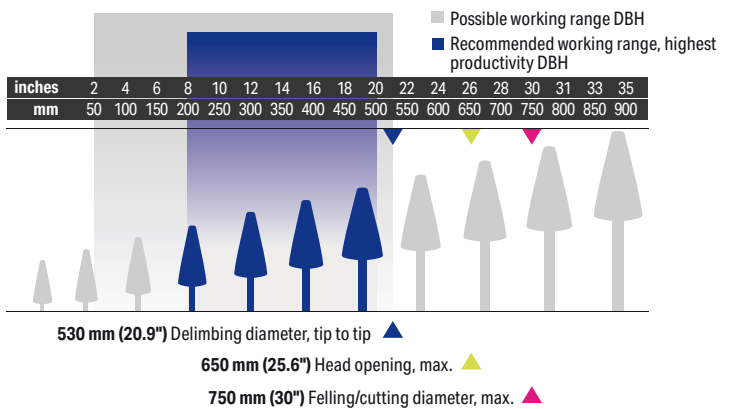
<b>A.</b> Feed roller opening, max.	750 mm
<b>B.</b> Opening, front knives, max.	650 mm
<b>C.</b> Rear knives opening, max.	800 mm
<b>D.</b> Width, max.	1,823 mm
<b>E.</b> Height to top knife	1,579 mm
<b>F.</b> Height including rotator	1,810 mm

NB: Refers only to one of several possible dimensional combinations and the head's weight is dependent on any optional equipment.

### Optional equipment

Standard and extra equipment are market dependent and vary between countries. Your sales representative has an up-to-date list of what is included.

### Working range



### Technical data

Weight (dry weight)	from 1,407 kg
Feed speed	0-5 m/s, 6.5 m/s
Feed force, gross (engine-dependent)	23.8 / 29.6 kN
Feed rollers, type	Steel
Delimiting knives, max. number	5
Delimiting diameter, tip to tip	530 mm
Saw bar	82.5 / 90 cm
Saw motor	19 cm <sup>3</sup> /rev.
Felling/cutting diameter, max.	750 mm
Hydraulic flow, max. (engine-dependent)	320 / 330 l/min
Hydraulic pressure, max.	28 MPa

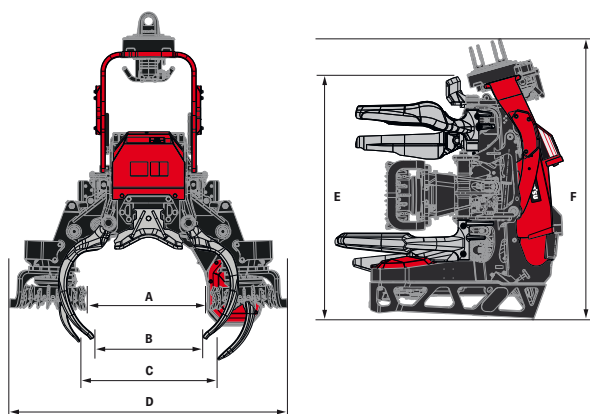
Technical data/dimensions vary depending on any optional equipment. Specifications and designs are subject to alteration without prior notice. Photos, diagrams and figures do not always show the standard configuration.



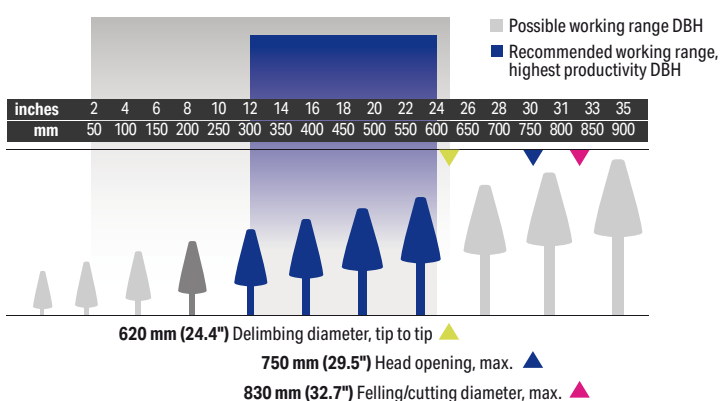
# Productive and powerful head for forests with large diameter ranges

## C164 highlights

- Four-wheel feed combined with two belly rollers for high-feed force
- Constant Cut
- Designed for harvesting large trees, rugged buttresses and thick branches
- Adapted for felling large trees with a single cut
- Tilt lock function locks the head at the right angle
- Find End resets the length measurement without needing to cut the stem (option)
- Length measurement with high measurement accuracy
- Integrated working lights (option)
- Movable top knife to follow the stem closely
- Choice of 90 cm or 97 cm bar length



## Working range



## Dimensions

A. Feed roller opening, max.	850 mm
B. Opening, front knives, max.	750 mm
C. Rear knives opening, max.	950 mm
D. Width, max.	1,905 mm
E. Height to top knife	1,690 mm
F. Height including rotator	1,848 mm

NB: Refers only to one of several possible dimensional combinations and the head's weight is dependent on any optional equipment.

## Optional equipment

Standard and extra equipment are market dependent and vary between countries. Your sales representative has an up-to-date list of what is included.

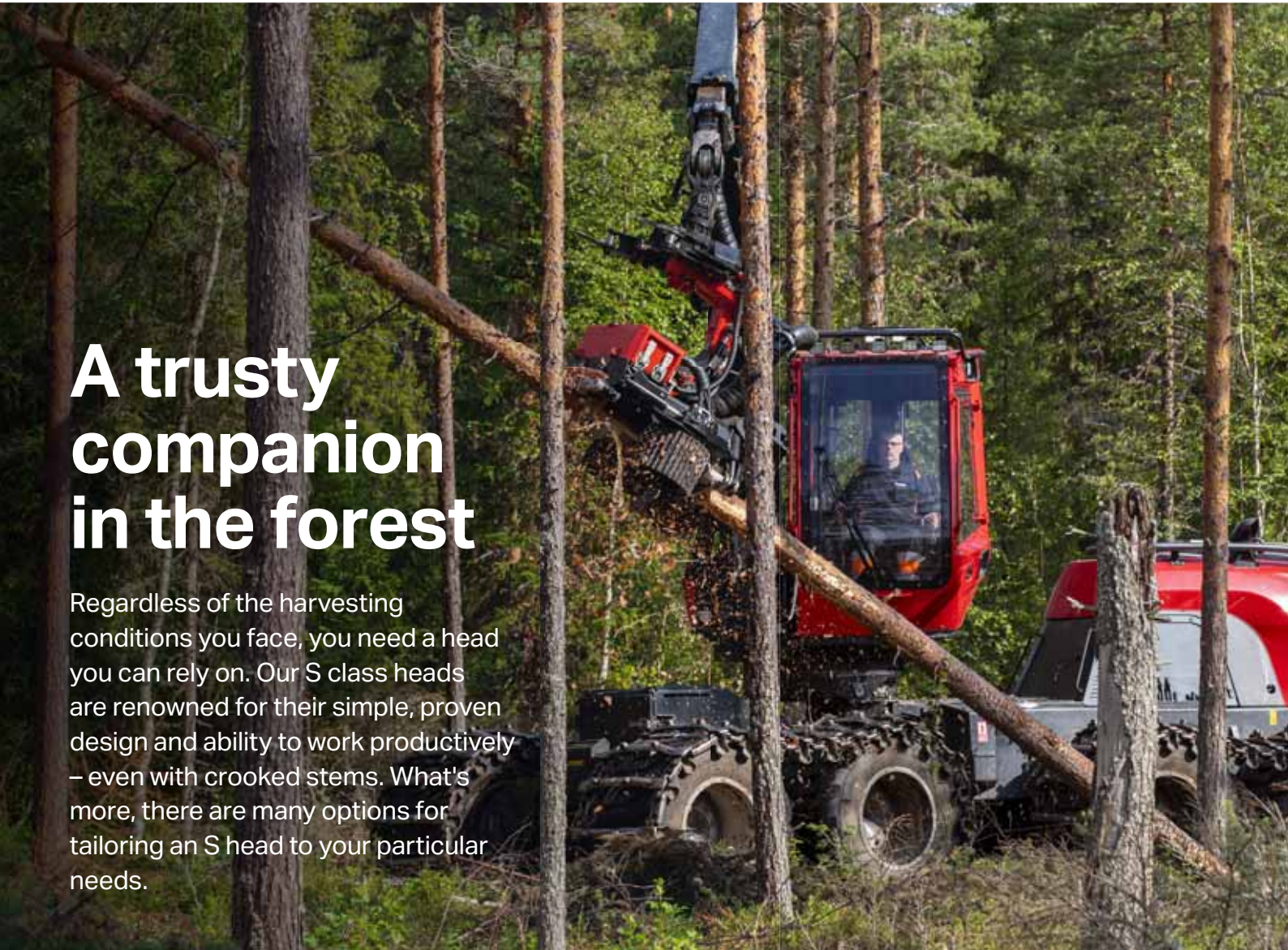
## Technical data

Weight (dry weight)	from 1,672.5 kg
Feed speed	0–5 m/s
Feed force, gross (engine-dependent)	35.4 / 29.6 kN
Feed rollers, type	Finger rollers
Delimiting knives, max. number	5
Delimiting diameter, tip to tip	620 mm
Saw bar	90 / 97 cm
Saw motor	19 cm <sup>3</sup> /rev.
Felling/cutting diameter, max.	830 mm
Hydraulic flow, max. (engine-dependent)	320 / 380 l/min
Hydraulic pressure, max.	28 MPa

Technical data/dimensions vary depending on any optional equipment. Specifications and designs are subject to alteration without prior notice. Photos, diagrams and figures do not always show the standard configuration.

# A trusty companion in the forest

Regardless of the harvesting conditions you face, you need a head you can rely on. Our S class heads are renowned for their simple, proven design and ability to work productively – even with crooked stems. What's more, there are many options for tailoring an S head to your particular needs.



## Simple, proven design

Our S class head design is well suited to demanding forest environments. The design's smart hose routing and protected components ensure a robust and reliable head. Easy access to service points, the valve assembly and other important components make service and maintenance a breeze.



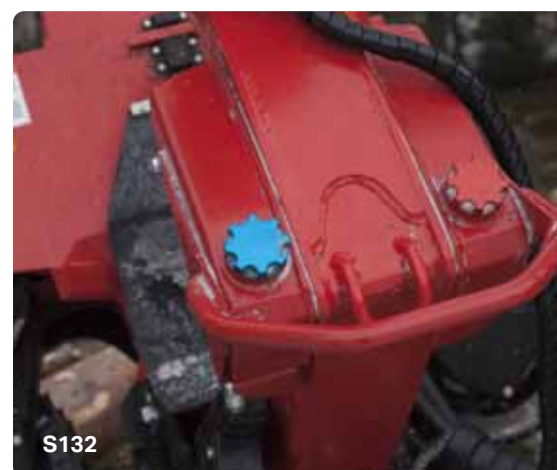
S92

## Tailor to your needs

The S class design is flexible with many options for adapting the head to different types of harvesting. These options encompass everything from measuring and feed rollers to colour marking equipment, stump treatment and multi-tree handling. Certain S heads can also be equipped for harvesting eucalyptus.

## Effective feed

There are several reasons why the S class heads are so productive. The high tractive force is one, and Flex Friction Control, our knife control system, is another. The latter includes a sensor to ensure that the stem is always correctly positioned in the feed path. This ensures low friction and an effective feed without compromising delimiting quality.



S132



S132

## Working range – S class

	S82	S92	S132	S172
Felling/cutting dia., max.	580 mm	615/715 mm	710 mm	750 mm
Delimiting diameter, tip to tip, max.	350 mm	373 mm	428 mm	500 mm
Head opening, max.	460 mm	530 mm	625 mm	713 mm
Recommended working range, highest productivity DBH	100–350 mm	120–380 mm	140–440 mm	170–500 mm

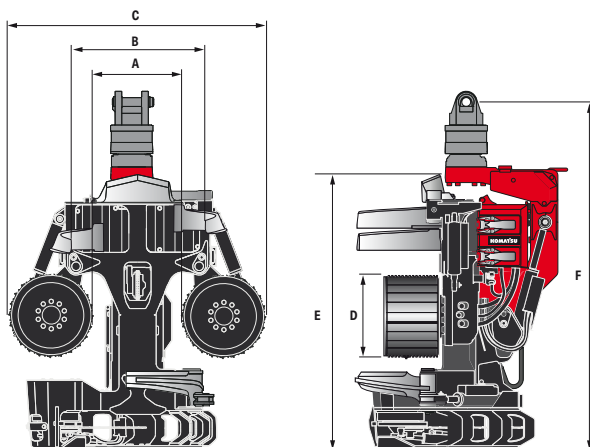


Read more about our heads at:  
[www.komatsuforest.com](http://www.komatsuforest.com)

# Compact and effective head for thinning dense forest stands

## S82 highlights

- The two-wheel feed helps feed crooked stems
- Constant Cut
- Design simplifies service and maintenance
- Smart hose routing protects hoses and minimises downtime
- Robust build
- Flex Friction Control
- Automatic chain tensioning extends saw bar and chain service lives
- Choose between several different feed rollers
- Optional four-point measurement improves measurement accuracy
- Optional multi-tree handling increases production capacity



### Dimensions

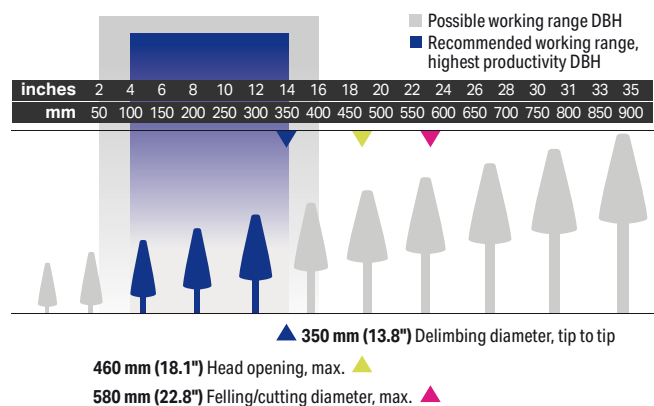
<b>A.</b> Feed roller opening, max.	460 mm
<b>B.</b> Opening, front knives, max.	517 mm
<b>C.</b> Opening, front right knife/rear knife, max.	532 mm
<b>D.</b> Width, max.	1,185 mm
<b>E.</b> Height to top knife	1,428 mm
<b>F.</b> Height incl. rotator	1,522 mm

NB: Refers only to one of several possible dimensional combinations and the head's weight is dependent on any optional equipment.

### Optional equipment

Standard and extra equipment are market dependent and vary between countries. Your sales representative has an up-to-date list of what is included.

### Working range



### Technical data

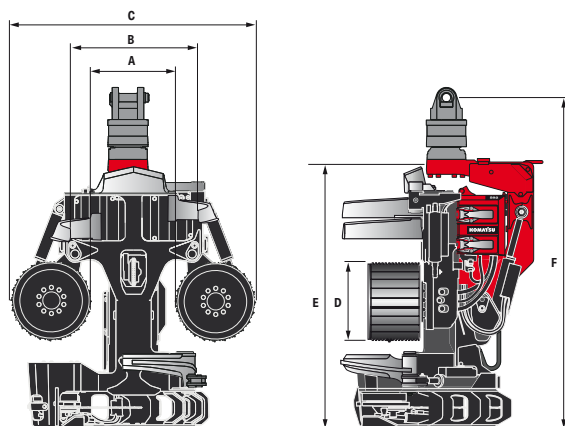
Weight (dry weight)	from 829 kg
Feed speed	0-5 m/s
Feed force, gross:	20.3 kN
Feed rollers, type	Steel
Delimiting knives, max. number	4
Delimiting diameter, tip to tip	350 mm
Saw bar	67 cm
Saw motor	19 cm <sup>3</sup> /rev.
Felling/cutting diameter, max.	580 mm
Hydraulic flow, max.	240 l/min
Hydraulic pressure, max.	28 MPa

Technical data/dimensions vary depending on any optional equipment. Specifications and designs are subject to alteration without prior notice. Photos, diagrams and figures do not always show the standard configuration.

# A productive and dependable all-round head

## S92 highlights

- The two-wheel feed optimises productivity in all kinds of forests
- New Constant cut saw unit with several productive upgrades
- Four movable delimiting knives. Improved knife design and minimum diameter reduced to 65 mm
- Fixed delimiting knife above saw box for initial delimiting
- Pressure controlled rear knife with greater lifting force and better stem holding
- Tilt link and rotator have both been upgraded with sturdier design for a longer service life
- Smart hose routing protects hoses and minimises downtime
- Flex Friction Control
- Automatic chain tensioning extends saw bar and chain service lives
- High flow feed roller motors reduce energy losses
- New length measuring system with a larger measuring wheel, a more robust design and a contactless sensor
- New Multi-tree handling function with a more durable design (option)



### Dimensions

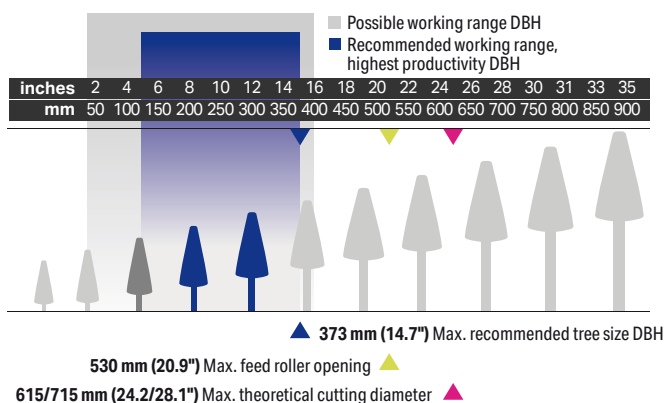
A. Feed roller opening, max.	530 mm
B. Opening, front knives, max.	535 mm
C. Opening, front right knife/rear knife, max.	573 mm
D. Width, max.	1,382 mm
E. Height to top knife	1,474 mm
F. Height incl. rotator	1,873 mm

NB: Refers only to one of several possible dimensional combinations and the head's weight is dependent on any optional equipment.

### Optional equipment

Standard and extra equipment are market dependent and vary between countries. Your sales representative has an up-to-date list of what is included.

### Working range



### Technical data

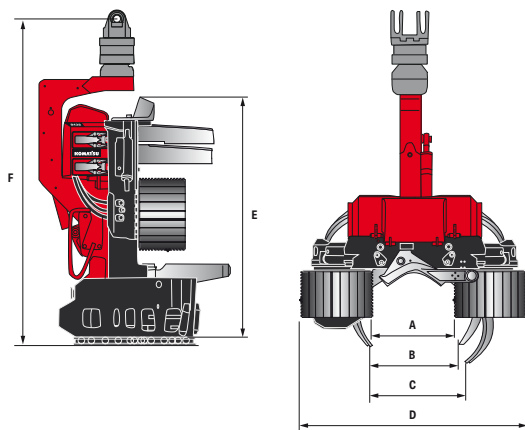
Weight (dry weight)	from 1018 kg
Feed speed	0–5,5 m/s
Feed force, gross (engine-dependent)	23,4/26,2 kN
Feed rollers, type	Steel
Delimiting knives, max. number	4
Delimiting diameter, tip to tip	373 mm
Saw bar	75/82 cm
Saw motor	19 cm <sup>3</sup> /rev.
Felling/cutting dia., max.	615/715 mm
Hydraulic flow, max.	240 l/min
Hydraulic pressure, max.	28 MPa

Technical data/dimensions vary depending on any optional equipment. Specifications and designs are subject to alteration without prior notice. Photos, diagrams and figures do not always show the standard configuration.

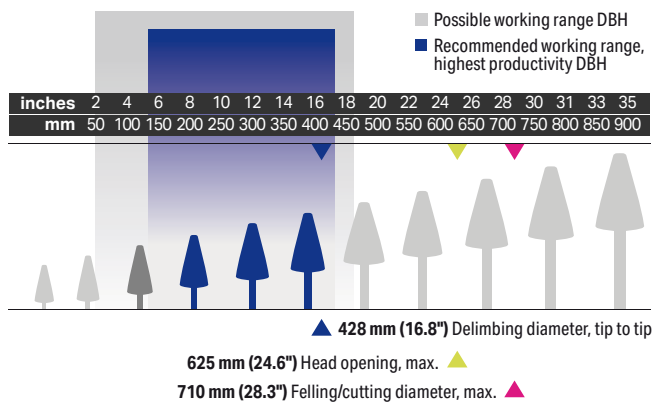
# Effective and simple head for final logging

## S132 highlights

- The two-wheel feed optimises productivity in all kinds of forests
- Constant Cut
- Three hydraulically-operated delimiting knives and one movable top knife
- Flex Friction Control
- Large felling link tilt angle reduces loads when working in steep terrain
- Design simplifies service and maintenance
- Smart hose routing and protected head components minimise downtime
- Optional four-point measurement improves measurement accuracy
- Automatic chain tensioning extends saw bar and chain service lives
- Choose between several different feed rollers
- Optional multi-tree, colour marking and stump treatment equipment



### Working range



### Dimensions

A. Feed roller opening, max.	625 mm
B. Opening, front knives, max.	641 mm
C. Opening, front right knife/rear knife, max.	690 mm
D. Width, max.	1,689 mm
E. Height to top knife	1,696 mm
F. Height including rotator	2,170 mm

NB: Refers only to one of several possible dimensional combinations and the head's weight is dependent on any optional equipment.

### Optional equipment

Standard and extra equipment are market dependent and vary between countries. Your sales representative has an up-to-date list of what is included.

### Technical data

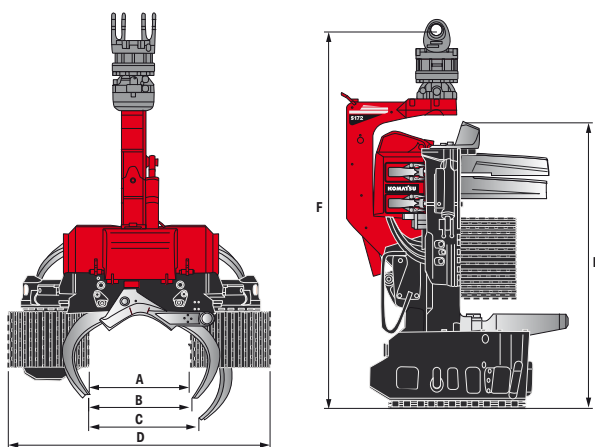
Weight (dry weight)	from 1,380 kg
Feed speed	0-5 m/s
Feed force, gross (engine-dependent)	21.0/26.1/28.7 kN
Feed rollers, type	Steel
Delimiting knives, max. number	4
Delimiting diameter, tip to tip	428 mm
Saw bar	82.5 cm
Saw motor	19 cm <sup>3</sup> /rev.
Felling/cutting diameter, max.	710 mm
Hydraulic flow, max. (engine-dependent)	300 / 330 l/min
Hydraulic pressure, max.	28 MPa

Technical data/dimensions vary depending on any optional equipment. Specifications and designs are subject to alteration without prior notice. Photos, diagrams and figures do not always show the standard configuration.

# Effective and reliable head for large-diameter trees

## S172 highlights

- The two-wheel feed optimises productivity in all kinds of forests
- Three hydraulically-operated delimiting knives and one movable top knife
- Flex Friction Control
- Design simplifies service and maintenance
- Smart hose routing and protected head components minimise downtime
- Cast feed roller arms for long service life
- Automatic chain tensioning extends saw bar and chain service lives
- Choose between several different feed rollers
- Optional colour marking and stump treatment equipment
- Optional four-point measurement improves measurement accuracy



### Dimensions

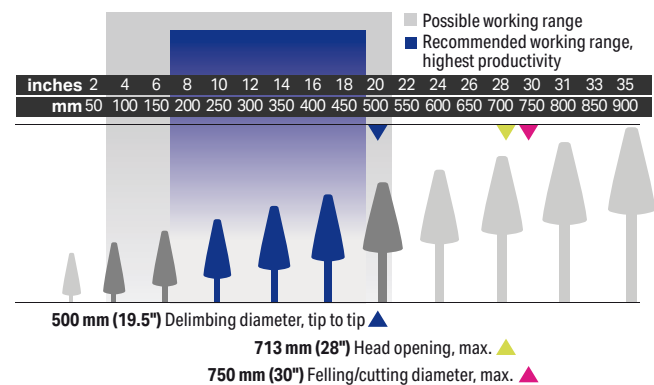
A. Feed roller opening, max.	713 mm
B. Opening, front knives, max.	757 mm
C. Opening, front right knife/rear knife, max.	772 mm
D. Width, max.	1,937 mm
E. Height to top knife	1,776 mm
F. Height including rotator	2,222 mm

NB: Refers only to one of several possible dimensional combinations and the head's weight is dependent on any optional equipment.

### Optional equipment

Standard and extra equipment are market dependent and vary between countries. Your sales representative has an up-to-date list of what is included.

### Working range



### Technical data

Weight (dry weight)	from 1,675 kg
Feed speed	0-5 m/s
Feed force, gross	40.2 kN
Feed rollers, type	Steel rollers
Delimiting knives, max. number	4
Delimiting diameter, tip to tip	500 mm
Saw bar	90 cm
Saw motor	19 cm <sup>3</sup> /rev.
Felling/cutting diameter	750 mm
Hydraulic flow, max.	300 l/min
Hydraulic pressure, max.	28 MPa

Technical data/dimensions vary depending on any optional equipment. Specifications and designs are subject to alteration without prior notice. Photos, diagrams and figures do not always show the standard configuration.



**KOMATSU**

[komatsuforest.com](http://komatsuforest.com)